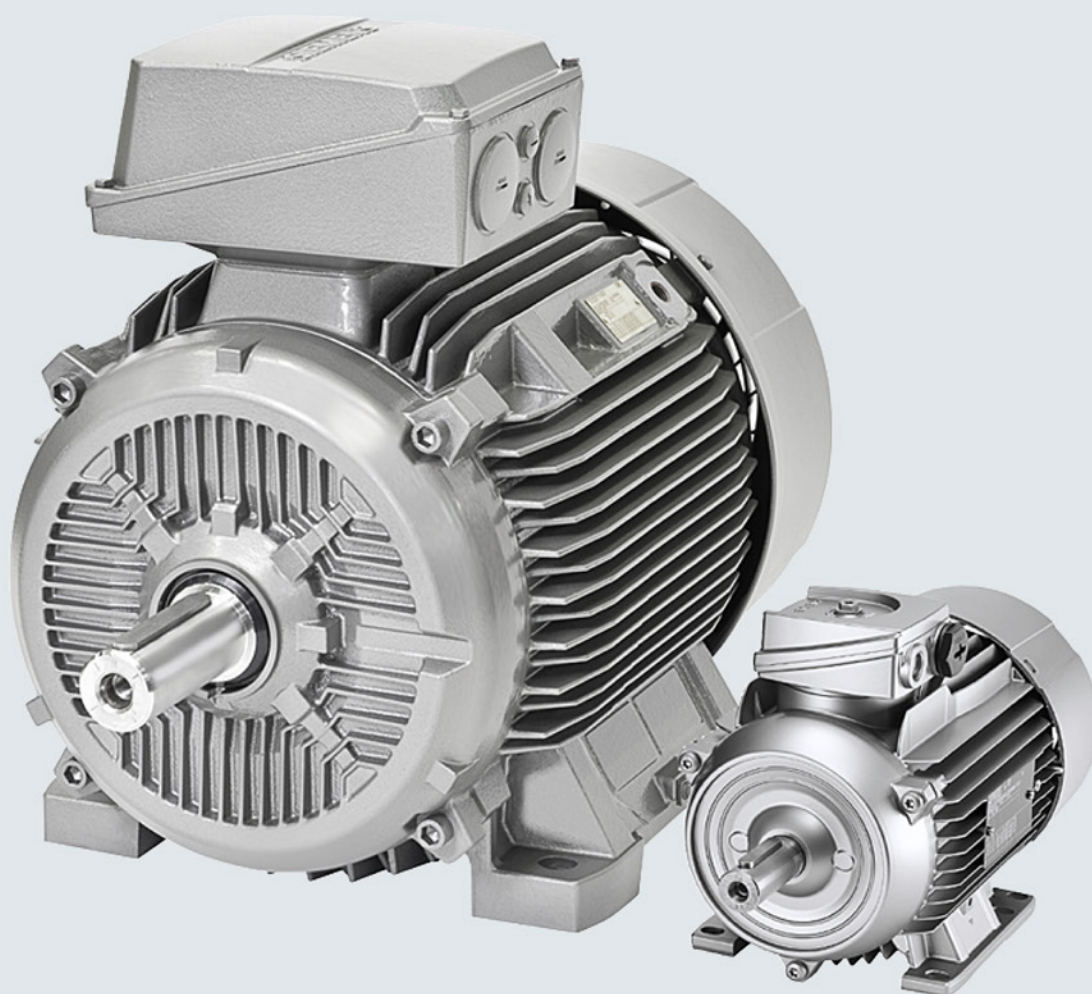


**SIEMENS**



# SIMOTICS GP, SD, DP, XP

Low-voltage motors

1LA5 6 7 9, 1LE1, 1LG4 6, 1LP7 9, 1MA6 7, 1MB1, 1MF6 7, 1MJ6, 1PC1 3, 1PP6 7 9

Operating instructions

Edition

05 2014

Answers for industry.



# SIEMENS

## SIMOTICS GP, SD, DP, XP

### Low-Voltage Motors Low-voltage motors




#### Operating Instructions

<u>Introduction</u>	<b>1</b>
<u>Safety information</u>	<b>2</b>
<u>Description</u>	<b>3</b>
<u>Preparing for use</u>	<b>4</b>
<u>Assembly</u>	<b>5</b>
<u>Electrical connection</u>	<b>6</b>
<u>Commissioning</u>	<b>7</b>
<u>Operation</u>	<b>8</b>
<u>Maintenance</u>	<b>9</b>
<u>Spare parts</u>	<b>10</b>
<u>Disposal</u>	<b>11</b>
<u>Appendix</u>	<b>A</b>
<u>Technical data and drawings</u>	<b>B</b>

## Legal information

### Warning notice system

This manual contains notices you have to observe in order to ensure your personal safety, as well as to prevent damage to property. The notices referring to your personal safety are highlighted in the manual by a safety alert symbol, notices referring only to property damage have no safety alert symbol. These notices shown below are graded according to the degree of danger.

 <b>DANGER</b>
indicates that death or severe personal injury <b>will</b> result if proper precautions are not taken.
 <b>WARNING</b>
indicates that death or severe personal injury <b>may</b> result if proper precautions are not taken.
 <b>CAUTION</b>
indicates that minor personal injury can result if proper precautions are not taken.
<b>NOTICE</b>
indicates that property damage can result if proper precautions are not taken.


If more than one degree of danger is present, the warning notice representing the highest degree of danger will be used. A notice warning of injury to persons with a safety alert symbol may also include a warning relating to property damage.

### Qualified Personnel

The product/system described in this documentation may be operated only by **personnel qualified** for the specific task in accordance with the relevant documentation, in particular its warning notices and safety instructions. Qualified personnel are those who, based on their training and experience, are capable of identifying risks and avoiding potential hazards when working with these products/systems.

### Proper use of Siemens products

Note the following:

 <b>WARNING</b>
Siemens products may only be used for the applications described in the catalog and in the relevant technical documentation. If products and components from other manufacturers are used, these must be recommended or approved by Siemens. Proper transport, storage, installation, assembly, commissioning, operation and maintenance are required to ensure that the products operate safely and without any problems. The permissible ambient conditions must be complied with. The information in the relevant documentation must be observed.

### Trademarks

All names identified by ® are registered trademarks of Siemens AG. The remaining trademarks in this publication may be trademarks whose use by third parties for their own purposes could violate the rights of the owner.

### Disclaimer of Liability

We have reviewed the contents of this publication to ensure consistency with the hardware and software described. Since variance cannot be precluded entirely, we cannot guarantee full consistency. However, the information in this publication is reviewed regularly and any necessary corrections are included in subsequent editions.

# Table of contents

<b>1</b>	<b>Introduction</b> .....	<b>9</b>
1.1	About these instructions.....	9
1.2	Information for the reader .....	9
<b>2</b>	<b>Safety information</b> .....	<b>11</b>
2.1	Information for those responsible for the plant or system.....	11
2.2	The five safety rules .....	11
2.3	Qualified personnel .....	12
2.4	The safe use of electrical machines.....	12
2.5	Safety instructions: Explosion-proof machines .....	13
2.6	Special designs and construction versions .....	13
2.7	Special conditions for explosion-proof machines.....	13
<b>3</b>	<b>Description</b> .....	<b>15</b>
3.1	Area of application .....	15
3.1.1	CE marking .....	15
3.2	Rating plates .....	16
3.3	Installation .....	17
3.3.1	Machine design .....	17
3.3.2	Regulations .....	18
3.3.3	Cooling and ventilation.....	19
3.3.3.1	General .....	19
3.3.3.2	Machines with a fan .....	19
3.3.3.3	Machines without a fan (optional) .....	20
3.3.4	Bearings .....	21
3.3.5	Balancing .....	21
3.3.6	Types of construction/method of installation.....	22
3.3.7	Degree of protection .....	24
3.3.8	Optional built-on and built-in accessories .....	25
<b>4</b>	<b>Preparing for use</b> .....	<b>27</b>
4.1	Delivery .....	27
4.2	Transport.....	27
4.3	Storage.....	28
4.4	Electromagnetic compatibility .....	29
<b>5</b>	<b>Assembly</b> .....	<b>31</b>
5.1	Installation .....	31
5.1.1	Safety instructions.....	31
5.1.2	Safety instructions: Explosion-proof machines .....	31
5.1.3	Machine installation .....	32
5.1.4	Cooling .....	33
5.1.4.1	Ventilation .....	33
5.1.5	Machines with type of construction IM B15, IM B9, IM V8 and IM V9.....	34

5.1.6	Balancing.....	35
5.1.6.1	Mounting and withdrawing output transmission elements .....	36
5.1.7	Noise emission.....	37
5.2	Alignment and fastening.....	37
5.2.1	Flatness of supporting surfaces .....	38
5.2.2	Machine frame mounting feet (special design) .....	38
<b>6</b>	<b>Electrical connection .....</b>	<b>39</b>
6.1	Connecting the machine .....	39
6.1.1	General.....	39
6.1.2	Terminal designations .....	41
6.1.3	Direction of rotation .....	41
6.1.4	Connection with/without cable lugs .....	41
6.1.5	Connection with cable lug for explosion-protected machines.....	42
6.1.6	Connecting protruding cables .....	42
6.1.7	Cable glands .....	42
6.1.7.1	Mounting position of sheet metal nuts in screw-type connections.....	43
6.1.8	Terminal box .....	44
6.1.8.1	General.....	44
6.1.8.2	Versions .....	45
6.1.8.3	Protruding connection cables.....	47
6.1.8.4	Connecting the temperature sensor/anti-condensation heater.....	48
6.1.8.5	Cable entry .....	50
6.1.8.6	Thread sizes in terminal box .....	51
6.2	Tightening torques .....	53
6.2.1	Electrical connections - Terminal board connections.....	53
6.2.2	Cable glands .....	54
6.2.3	Terminal boxes, end shields, grounding conductors, sheet metal fan covers .....	54
6.3	Conductor connection .....	55
6.3.1	General information on conductor connection .....	55
6.3.2	Type of conductor connection .....	56
6.4	Connecting the grounding conductor .....	59
6.4.1	General information on connecting the grounding conductor .....	59
6.4.2	Grounding connection type .....	60
6.4.3	Minimum surface area of grounding conductor.....	61
6.4.4	Size of grounding conductor screw.....	62
6.5	Final measures.....	62
6.6	Connecting optional mounted components.....	63
6.6.1	External fan, incremental encoder, brake .....	63
6.6.1.1	Mounting a brake .....	63
6.6.1.2	Mounted external fan .....	63
6.7	Connecting converters .....	64
<b>7</b>	<b>Commissioning .....</b>	<b>67</b>
7.1	Insulation resistance .....	67
7.1.1	Testing the insulation resistance.....	67
7.2	Measures before start-up.....	69
7.3	Switching on.....	71

<b>8</b>	<b>Operation</b> .....	<b>73</b>
8.1	Safety instructions.....	73
8.1.1	Safety instructions during operation.....	73
8.1.2	Safety information for explosion-protected machines in operation.....	75
8.1.3	Safety instructions for cleaning.....	76
8.1.4	Machines with textile fan covers.....	76
8.2	Stoppages.....	76
8.3	Fault tables.....	78
8.4	Deactivating.....	80
8.5	Class.....	80
8.5.1	Zone 1 with type of protection Ex de IIC Gb (flameproof enclosure "d" for the machine and increased safety "e" for the terminal box).....	80
8.5.2	Zone 1 with Ex e IIC Gb type of protection (increased safety "e").....	81
8.5.3	Zone 1 with Ex e IIB Gb type of protection (increased safety "e").....	82
8.5.4	Zone 2 with type of protection Ex nA IIC Gc, non sparking.....	83
8.5.5	Zone 2 with type of protection Ex nA IIB Gc, non sparking.....	84
8.5.6	Zone 21.....	85
8.5.7	Zone 22.....	86
<b>9</b>	<b>Maintenance</b> .....	<b>87</b>
9.1	Preparation and notes.....	87
9.1.1	North American market.....	88
9.1.2	Customs union Eurasia.....	88
9.1.3	Touch up any damaged paintwork.....	90
9.1.4	Repainting.....	90
9.2	Inspection.....	91
9.2.1	General inspection specifications.....	91
9.2.2	Optional built-on accessories.....	91
9.2.3	Initial inspection.....	91
9.2.4	Main inspection.....	92
9.3	Maintenance.....	93
9.3.1	Maintenance intervals.....	93
9.3.2	Regreasing (optional).....	94
9.3.3	Cleaning.....	94
9.3.4	Drain condensate.....	95
9.4	Corrective maintenance.....	96
9.4.1	Instructions for repair.....	96
9.4.2	Storage.....	96
9.4.2.1	Changing bearings.....	97
9.4.2.2	Replacing bearings in explosion-proof machines.....	98
9.4.3	Dismantling.....	98
9.4.3.1	Bearing bushes.....	99
9.4.3.2	Links.....	99
9.4.4	Assembly.....	99
9.4.4.1	Assembly.....	99
9.4.4.2	Fitting the bearing cartridges.....	99
9.4.4.3	Fitting bearings.....	100
9.4.4.4	Mounting fans.....	100

9.4.4.5	Mounting the fan cover.....	101
9.4.4.6	Canopy; mounting a rotary pulse encoder under the canopy.....	101
9.4.4.7	Reassembly: Miscellaneous information.....	101
9.4.5	Screw lock washers.....	102
9.4.6	Electrical connections - Terminal board connections.....	102
9.4.7	Cable glands.....	102
9.4.8	Terminal boxes, end shields, grounding conductors, sheet metal fan covers.....	103
9.4.9	Optional add-on units.....	104
<b>10</b>	<b>Spare parts.....</b>	<b>105</b>
10.1	Parts order.....	105
10.2	Parts groups definition.....	105
10.3	Ordering example.....	106
10.4	Machine parts.....	107
10.5	Standardized parts.....	110
<b>11</b>	<b>Disposal.....</b>	<b>113</b>
11.1	Introduction.....	113
11.2	Preparing for disassembly.....	113
11.3	Dismantling the machine.....	113
11.4	Disposal of components.....	114
<b>A</b>	<b>Appendix.....</b>	<b>115</b>
A.1	SIEMENS Service Center.....	115
A.2	Languages of operating instructions available in the Internet.....	115
A.3	Further documents.....	116
<b>B</b>	<b>Technical data and drawings.....</b>	<b>117</b>
B.1	Exploded drawings.....	117
B.1.1	1LA,1LP,1MA,1MF,1PP6/7/9 FS 56 ... 90L.....	117
B.1.2	1LA,1LP,1MA,1MF,1PP6/7/9 FS 100 ... 160.....	118
B.1.3	1LA5180 ... 225.....	119
B.1.4	1MA6180 ... 200.....	120
B.1.5	Terminal boxes 1MA6180 ... 200.....	121
B.1.6	1MJ6070 ... 200.....	122
B.1.7	Terminal boxes 1MJ6070 ... 160.....	123
B.1.8	Terminal boxes 1MJ6180 ... 200 (Ex e).....	124
B.1.9	Terminal boxes 1MJ6180 ... 200 (Ex d).....	125
B.1.10	1LE1/ 1MB1 BG 80 ... 160 aluminum.....	126
B.1.11	1LE1 / 1MB1 BG 100 ... 200 cast iron.....	127
B.1.12	1LE1 / 1MB1 BG 225 ... 315 cast iron.....	128
B.1.13	1LG4/6 FS 180 ... 315.....	129
B.1.14	Terminal box gk330, gt320, gk430, gt420.....	130
B.1.15	Terminal box gk431, gt421, gt520, gt540.....	131
B.1.16	Terminal box 1LG4/6 gt620, gt640, gt791.....	132
	<b>Glossary.....</b>	<b>133</b>
	<b>Index.....</b>	<b>135</b>



# Introduction

## 1.1 About these instructions

These instructions describe the machine and explain how to handle it, from initial delivery to final disposal of the equipment. Keep these instructions for later use.

Read these operating instructions before you handle the machine and follow the instructions to become familiar with its design and operating principles and thus ensure safe, problem-free machine operation and long service life.

If you have suggestions for improving the document, please contact the Service Center.

### Text format features

The warning notice system is explained on the rear of the inside front. Always follow the safety instructions and notices in these instructions.

In addition to the safety-related warning notices which you must read, you will find the text in these instructions is formatted in the following way:

1. Handling instructions are always formatted as a numbered list. Always perform the steps in the order given.
- Lists are formatted as bulleted lists.
    - Lists on the second level are hyphenated.

---

#### Note

A Note is an important item of information about the product, handling of the product or the relevant section of the document. Notes provide you with help or further suggestions/ideas.

---

## 1.2 Information for the reader

### Explanation of the icons



Note for 1LE1, 1MB1, 1PC1, 1PC3 machines



Note for 1LE1, 1PC1 and 1PC3 machines, frame sizes 80 and 90 with central terminal box locking



Information about explosion-protected machines



## Safety information

### 2.1 Information for those responsible for the plant or system

This electric machine has been designed and built in accordance with the specifications contained in Directive 2006/95/EC ("Low-Voltage Directive") and is intended for use in industrial plants. Please observe the country-specific regulations when using the electric machine outside the European Community. Follow the local and industry-specific safety and setup regulations.

The persons responsible for the plant must ensure the following:

- Planning and configuration work and all work carried out on and with the machine is only to be done by qualified personnel.
- The operating instructions must always be available for all work.
- The technical data as well as the specifications relating to the permissible installation, connection, ambient and operating conditions are taken into account at all times.
- The specific setup and safety regulations as well as regulations on the use of personal protective equipment are observed.

---

#### Note

Use the services and support provided by the appropriate Service Center for planning, installation, commissioning, and servicing work.

---

You will find safety instructions in the individual sections of this document. Follow the safety instructions for your own safety, to protect other people and to avoid damage to property.

Observe the following safety instructions for all activities on and with the machine.

### 2.2 The five safety rules

For your personal safety and to prevent material damage when carrying out any work, always observe the safety instructions and the following five safety rules, according to EN 50110-1 "Dead working". Apply the five safety rules in the sequence stated before starting work.

#### Five safety rules

1. Disconnect completely.  
Disconnect the auxiliary circuits, for example anti-condensation heating.
2. Secure against reconnection.
3. Verify absence of operating voltage.
4. Carry out earthing and short-short-circuiting.
5. Provide protection against adjacent live parts.

To energize the system, apply the measures in reverse order.


## 2.3 Qualified personnel


All work at the machine must be carried out by qualified personnel only. For the purpose of this documentation, qualified personnel is taken to mean people who fulfill the following requirements:


- Through appropriate training and experience, they are able to recognize and avoid risks and potential dangers in their particular field of activity.
- They have been instructed to carry out work on the machine by the appropriate person responsible.

## 2.4 The safe use of electrical machines



 <b>WARNING</b>
<b>High voltages</b> Electrical machines contain live parts. Fatal or severe injuries and substantial material damage can occur if the required covers are removed or if the machines are not handled, operated, or maintained properly. <ul style="list-style-type: none"><li>• Only remove covers in compliance with the applicable regulations.</li><li>• Operate the machines properly.</li><li>• Perform regular maintenance on the machine.</li></ul>

 <b>WARNING</b>
<b>Rotating parts</b> Electrical machines contain dangerous rotating parts. Fatal or severe injuries and substantial material damage can occur if the required covers are removed or if the machines are not handled, operated, or maintained properly. <ul style="list-style-type: none"><li>• Only remove covers in compliance with the applicable regulations.</li><li>• Operate the machines properly.</li><li>• Perform regular maintenance on the machine.</li><li>• Secure free-standing shaft extensions.</li></ul>

 <b>WARNING</b>
<b>Risk of burning</b> Electrical machines have hot surfaces. Fatal or severe injuries and substantial material damage can occur if the required covers are removed or if the machines are not handled, operated, or maintained properly. <ul style="list-style-type: none"><li>• Allow the machine to cool down before starting any work on it.</li><li>• Only remove covers in compliance with the applicable regulations.</li><li>• Operate the machines properly.</li></ul>

## 2.5

### Safety instructions: Explosion-proof machines



---

**Note**

The increased level of danger in hazardous areas demands that you pay particular attention to the notes marked with .

---

## 2.6

### Special designs and construction versions

---

**Note**

Before carry out any work on the machine, determine the machine version.

If any deviations or uncertainties arise, contact the manufacturer specifying the type designation and serial number (see rating plate) or have the equipment repaired by a Siemens Service Center.

---

## 2.7

### Special conditions for explosion-proof machines



Special conditions for the safe application of explosion-protected machines marked with **X** (excerpt from the EC type-examination certificate, point 17)

**Flameproof enclosure "d"**

Flameproof joints may only be repaired strictly in accordance with the manufacturer's design specifications. Repair in accordance with the values in Tables 1 and 2 of EN / IEC 60079-1 is not permitted.

**Zone 21**

- Do not operate the motors with excessively thick deposits of dust.
- When the motors are mounted with the free shaft end pointing upwards, prevent foreign bodies from dropping into the ventilation openings using an appropriate mechanical design.
- For motors with a fixed connecting cable: The free end of the cable must be connected according to valid regulations for electrical installations.



## Description

### 3.1 Area of application

#### Overview

The three-phase machines of this series are used as industrial drives. They are designed for a wide range of drive applications both for line operation as well as in conjunction with frequency converters.

They are characterized by their high power density, extreme robustness, long service life and outstanding reliability.

#### Intended use of the machines

These machines are intended for industrial installations. They comply with the harmonized standards of the series EN / IEC 60034 (VDE 0530). Their use in hazardous areas is forbidden unless the marking on the rating plate expressly permits this operation. If other/more wide-ranging demands (e.g. protection so that they cannot be touched by children) are made in special cases – i.e. use in non-industrial installations – these conditions must have been complied with in the plant or system itself when the motors are installed.

---

#### Note

##### Machine directive

Low-voltage motors are components designed for installation in machines in accordance with the current Machinery Directive. They must not be commissioned until it has been verified that the end product complies with this directive (refer to EN 60204-1).

---

#### 3.1.1 CE marking

---

#### Note

##### Use of machines without CE identification

Machines without **CE** marking are intended for operation outside the European Economic Area (EEA). Do not use any machines without CE mark within of the EEA!

---

## 3.2 Rating plates

### Rating plate

The rating plate shows the identification data and the most important technical data. The data on the rating plate and the contractual agreements define the limits of proper usage.

### Data on the rating plate

Item	Description	Item	Description
<b>General data</b>		<b>Electrical data</b>	
1	Type of machine	31	Electrical data
2	Machine type	32	-
3	Serial number (incl. date of manufacture YY.MM )	33	Rated voltage [V]
4	Standards	34	Winding connections
5	Additional details (optional)	35	Frequency [Hz]
6	Customer data (optional)	36	Rated power [kW]
7	Country of origin	37	Rated current [A]
8	Production location	38	Power factor [cosφ]
9	Identification number of testing agency (optional)	39	Rated speed [rpm]
10	Regulations (optional)	40	Efficiency class
<b>Mechanical data</b>		41	Efficiency
11	Frame size	42	Torque [Nm] (optional)
12	Type of construction	43	Rated power [hp] (optional)
13	Degree of protection	44	Service factor (optional)
14	Machine weight [kg]	45	Starting current ratio (optional)
15	Temperature class	46	Operating mode (optional)
16	Ambient temperature range (optional)	47	NEMA data (optional)
17	Installation altitude (only if higher than 1000 m)	48	Anti-condensation heating (optional)
18	Vibration severity grade	49	Company logo
19	Bearing sizes		
20	Relubrication data/specifications (optional)		
21	Brake data (optional)		



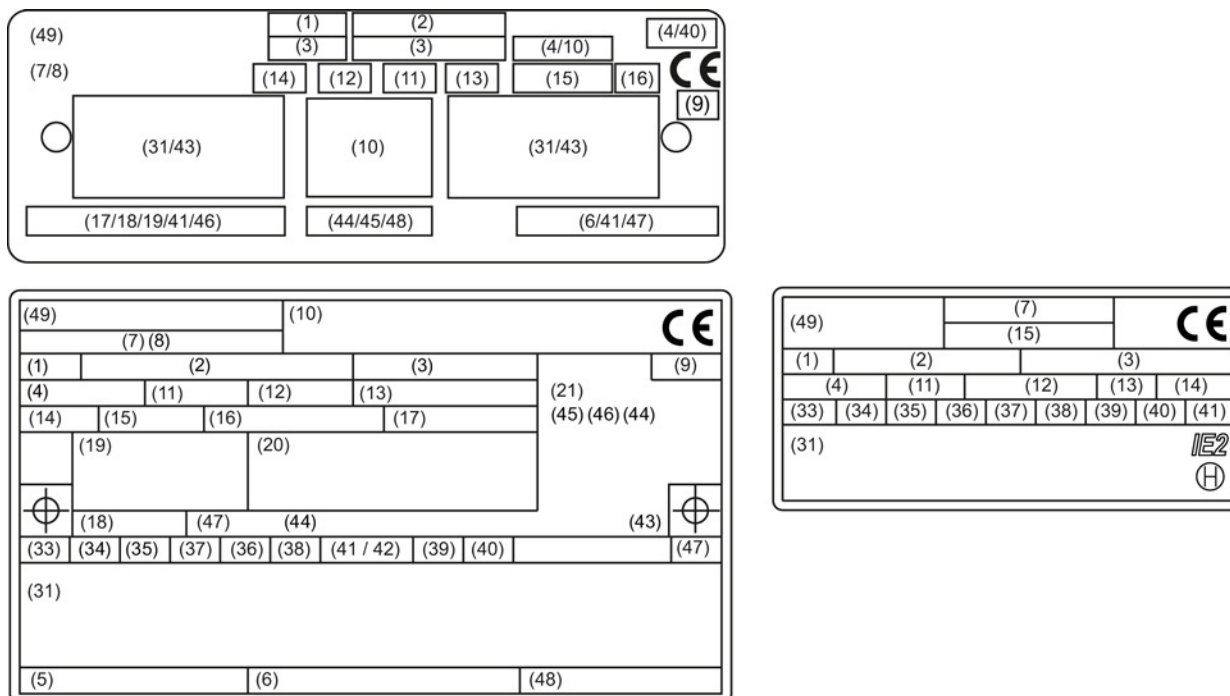


Figure 3-1 Examples of rating plates

## 3.3 Installation

### 3.3.1 Machine design

Machines of this series are low-voltage three-phase asynchronous drives with a cylindrical shaft end and featherkey way. They can be supplied as single-speed machines with different efficiency classes or as pole changing machines for several speeds.

In the case of machines with feet (IM B3 type of construction), the feet are cast or bolted on.

It is possible to change the feet bolted on the housing of the machine, e.g. to change the position of the terminal box; however, only have this performed by an authorized retrofit partner.

With the appropriate post working, ensure that the feet mounting surfaces are again on one plane and parallel to the machine shaft, and shim when required. Professionally touch up damaged painted surfaces.

### 3.3.2 Regulations

#### Standard motors

The regulations and standards used as basis to design and test this machine are stamped on the rating plate. The machine design basically complies with the following standards:

Table 3- 1 Applicable general regulations

Feature	Standard
Dimensioning and operating behavior	EN / IEC 60034-1
Procedure for determining the losses and the efficiency of rotating electrical machines and inspections	EN / IEC 60034-2-1 EN / IEC 60034-2-2 EN / IEC 60034-2-3
Degree of protection	EN / IEC 60034-5
Cooling	EN / IEC 60034-6
Type of construction	EN / IEC 60034-7
Terminal designations and direction of rotation	EN / IEC 60034-8
Noise emission	EN / IEC 60034-9
Starting characteristics of rotating electrical machines	EN / IEC 60034-12
Vibration severity grades	EN / IEC 60034-14
Efficiency classification of three-phase squirrel-cage induction motors	EN / IEC 60034-30
IEC standard voltages	IEC 60038

#### Supplementary regulations for explosion-proof machines



Table 3- 2 Regulations applied for explosion-protected machines

Feature	Standard
Electrical equipment for hazardous gas atmospheres, Part 0: General requirements	EN / IEC 60079-0
Electrical equipment for hazardous gas atmospheres, Part 1: Flameproof enclosure "d"	EN / IEC 60079-1
Electrical equipment for hazardous gas atmospheres, Part 7: Increased safety "e"	EN / IEC 60079-7
Electrical equipment for hazardous gas atmospheres, Part 14: Electric installations for endangered atmospheres (except underground excavation)	EN / IEC 60079-14
Electrical equipment for hazardous gas atmospheres, Part 15: Type of protection "n"	EN / IEC 60079-15
Electrical equipment for hazardous gas atmospheres, Part 19: Repairs and overhauls	EN / IEC 60079-19
Potentially explosive atmosphere - Part 31: Device dust explosion protection by enclosure "t"	EN / IEC 60079-31
Electrical equipment for use in the presence of combustible dust - Part 17: Inspection and maintenance of electrical systems in hazardous areas (except underground excavation)	EN / IEC 60079-17
Directive on the approximation of the laws of the Member States concerning equipment and protective systems intended for use in hazardous areas.	RL94/9/EC

### 3.3.3 Cooling and ventilation

#### 3.3.3.1 General

The machines of this series are three-phase asynchronous machines with a closed primary (internal) cooling circuit and an open secondary cooling circuit (surface cooling). The surface cooling varies depending on the version.

#### 3.3.3.2 Machines with a fan

##### **Self-ventilation (standard): Cooling IC 411 in accordance with EN / IEC 60034-6**

Located at the ND end of the stator housing is an air intake cowl that guides the external air on its way to the motor. The external air is drawn in through openings in the air intake cowl and flows axially across the outer cooling ribs of the motor frame. The fan wheel for the external flow of cooling air is attached to the machine shaft.

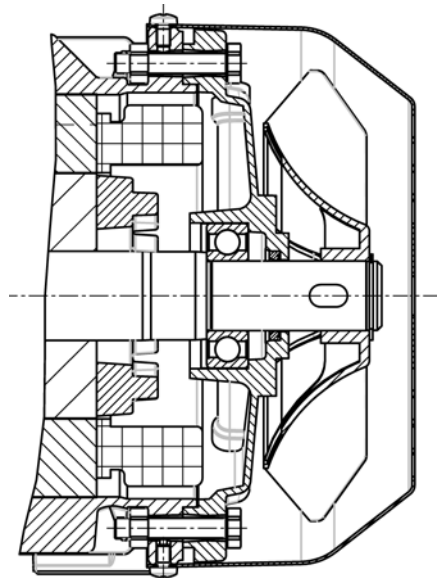
The fan wheels are bidirectional.

Check the cooling effect below rated speed in the case of frequent switching or braking – or if the speed is controlled continually below the rated speed.


##### **Note explosion-protected machines**



Machines for use in Zone 21 and Zone 22 have a metal fan.

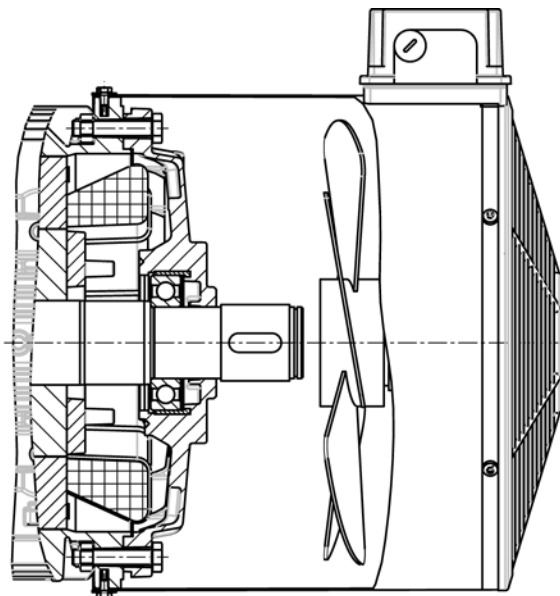


**Forced ventilation (optional): Type of cooling IC 416 in accordance with EN / IEC 60034-6**

 <b>WARNING</b>
<b>Risk of burning</b> Operating the machine without external fan results in overheating. This may result in personal injury and material damage. Never commission the machine without an external fan.

Cooling that does not depend on the speed is achieved by means of a separately driven fan wheel (forced ventilation). Forced ventilation does not depend on the operating state of the machine.

The fan wheel for the external flow of cooling air is powered by an independent module and is enclosed by the fan cover.



**3.3.3.3 Machines without a fan (optional)**

**Surface cooling by free convection: Cooling IC 410 in accordance with EN / IEC 60034-6**

IC410 IC4A1A0

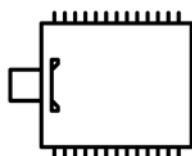


Figure 3-2 IC410

**Surface cooling by relative movement of cooling air: Type of cooling IC 418 in accordance with EN / IEC 60034-6**

IC418 IC4A1A8

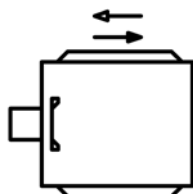


Figure 3-3 IC418

### 3.3.4 Bearings

In order to support the machine shaft and maintain its position in the non-moving part of the machine, only 2 rolling-contact bearings are used. One roller bearing performs the function of a location bearing that transfers axial and radial forces from the rotating machine shaft to the non-moving part of the machine. The second roller bearing is implemented as floating and support bearing in order to allow thermal expansion inside the machine and transfer radial forces.

The nominal (calculated) useful life of the bearings according to ISO 281 is at least 20,000 hours with utilization of the permissible radial/axial forces. However, the achievable useful life of the bearings can be significantly longer in the case of lower forces (e.g. operation with self-aligning couplings).

Avoid rigid couplings.


Roller bearings with permanent lubrication are maintenance-free. For bearings that can be relubricated, observe the data on the rating plate or lubricant plate.

### 3.3.5 Balancing

As standard, the motor is balanced dynamically with a half featherkey (code "H") in accordance with ISO 8821.

The balance quality corresponds to vibration level "A". Vibration level "B" is optional or possible on request.

### 3.3.6 Types of construction/method of installation

 <b>WARNING</b>
<p><b>Damage caused by small parts falling in</b></p> <p>Material damage and injury can occur if the fan is destroyed and therefore the motor overheats.</p> <ul style="list-style-type: none"> <li>• For types of construction with a shaft extension facing downwards, a suitable cover must be fitted to prevent small parts from falling into the fan cover (see also standard IEC / EN 60079-0).</li> <li>• Prevent the cooling airflow from being reduced as a result of covers that might be in place.</li> </ul>

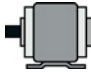


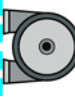
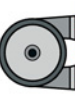

#### Further possible fields of application

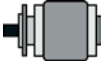





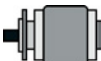

The type of construction of the machine is stated on the rating plate.

#### Note

When lifting the machines for transport, only lift them in a position that corresponds to their basic construction type.

Table 3- 3 Type of construction

Basic type of construction code	Diagram	Other methods of installation	Diagram
IM B3 (IM 1001)		IM V5 (IM 1011)	
		IM V6 (IM 1031)	
		IM B6 (IM 1051)	
		IM B7 (IM 1061)	
		IM B8 (IM 1071)	

Basic type of construction code	Diagram	Other methods of installation	Diagram
IM B5 (IM 3001)		IM V1 (IM 3011)	
		IM V3 (IM 3031)	
<hr/>			
Basic type of construction code	Diagram	Other methods of installation	Diagram
IM B14 (IM 3601)		IM V18 (IM 3611)	
		IM V19 (IM 3631)	
<hr/>			
Basic type of construction code	Diagram		
IM B35 (IM 2001)			
IM B34 (IM 2101)			

### Types of construction/Installation conditions for explosion-proof machines



The type of construction of the machine is stated on the rating plate.

In the case of explosion-proof machines where the shaft extensions point downwards (types of construction IM V5, IM V1 or IM V18 ) a protective top cover is mandatory. Explosion-proof machines with IM V5, IM V1 and IM V18 types of construction are fitted with a canopy at the factory.



Table 3- 4 Construction type with protective top cover

Conditions of installation	Graphics-Based Representation
IM V5 (IM 1011)	
IM V1 (IM 3011)	
IM V18 (IM 3611)	

### 3.3.7 Degree of protection

The motor degree of protection is stamped on the rating plate. They can be installed in dusty or humid environments.



<p><b>⚠ WARNING</b></p> <p><b>Dangerous voltage</b></p> <p>The winding can be damaged if objects are introduced into the condensation holes (optional). This can lead to death, serious injury or material damage.</p> <p>Note the following to maintain the degree of protection:</p> <ul style="list-style-type: none"> <li>• Switch off the machine so that it is in a no-voltage condition, before you open the condensation drain holes.</li> <li>• Close the condensation drain holes, e.g. using T-plugs, before commissioning the machine.</li> </ul>
---

<p><b>NOTICE</b></p> <p><b>Storage</b></p> <p>The motor can be damaged if you use it or store it unprotected outdoors.</p> <ul style="list-style-type: none"> <li>• Protect the motor against intensive solar radiation, rain, snow, ice and dust. Use a superstructure or additional cover, for example.</li> <li>• If required, contact the Siemens Service Center, or technically coordinate outdoors use.</li> </ul>
--

### Environmental requirements

The machine is suitable for tropical climates.

Guide value for the standard version 60 % relative humidity at an ambient temperature of (T<sub>amb</sub>) 40 °C.

Ambient temperature: -20 °C to +40 °C



Installation altitude:  $\leq 1000$  m

Air with normal oxygen content, usually 21 % (V/V)

If the environmental requirements are different from the details listed here, then the values on the rating plate will apply.



Machines intended for use in Zone 1 (type of protection Flameproof Enclosure "d" or Increased Safety "e") or in Zone 2 (type of protection "n") are designed with IP 55 degree of protection.

Machines intended for use in Zone 21 have IP 65 degree of protection. Machines intended for use in Zone 22 have IP 55 degree of protection and can be used in dusty environments such as grinders, silos, animal feed plants, and malhouses, as well as in certain areas of the chemical industry.

### 3.3.8 Optional built-on and built-in accessories

In addition to the current-dependent overload protective device located in the connecting leads, we recommend that you use temperature sensors embedded in the stator winding in order to monitor the temperature and protect the stator winding from overheating.

Machines whose winding is exposed to the danger of condensation due to the climate, e.g. machines at a standstill in a damp environment or machines which are exposed to large temperature fluctuations, can be equipped with an anti-condensation heater.

As an option, the machines can be fitted with additional built-on accessories on the ventilation side (e.g. brake, rotary pulse encoder).

#### Optional built-on and built-in accessories for explosion-proof machines



Investigate the influence of sources of heat and cold on the finished installation when it includes built-on accessories compliant with EN 60079-14!

Table 3- 5 Recommended maximum interface temperatures for flange motors

Type of protection	Ex d		Ex e, Ex nA	
	Line	Converter	Line	
Supply voltage	Line	Converter	Line	
Control range	-	10 Hz to $f_{rated} (\leq 60 \text{ Hz})$	-	
Cooling method	Self-ventilated			
Frame size	63 ... 200			
Mechanical design	EN 50347			
Ambient temperature	-20 °C ... +60 °C		-20 °C ... +40 °C	
Temperature class	T3, T4		T3	
Number of poles	2, 4		2	4
Max. shaft temperature	100 °C		60 °C	75 °C
Max. flange temperature	100 °C		60 °C	75 °C

Select mounted equipment such as brakes, forced ventilation or incremental encoders according to the requirements of the Directive 94/9/EC.



## Preparing for use

### 4.1 Delivery

#### Checking the delivery for completeness


The drive systems are put together on an individual basis. When you take receipt of the delivery, please check immediately whether the items delivered are in accordance with the accompanying documents. Siemens will not accept any claims relating to items missing from the delivery and which are submitted at a later date.

- Report any apparent transport damage to the delivery agent immediately.
- Report any apparent defects/missing components to the appropriate SIEMENS office immediately.


Archive the safety and commissioning notes provided in the scope of delivery as well as the optionally available operating instructions so that these documents are always easily accessible.

The rating plate optionally enclosed as a loose item with the delivery is provided to enable the motor data to be attached on or near the machine or installation.

### 4.2 Transport

 <b>WARNING</b>
<b>Risk of dropping and swinging when transported suspended</b>
If you transport the motor suspended from cables or ropes, the cables or ropes can break, e.g. as result of damage. Further, if not adequately attached, the motor can swing. This can result in death, serious injury, or material damage.
<ul style="list-style-type: none"><li>• Use additional, suitable lifting equipment for transport and during installation.</li><li>• Two cables alone must be able to carry the complete load.</li><li>• Prevent the lifting equipment from sliding by appropriately securing it.</li></ul>

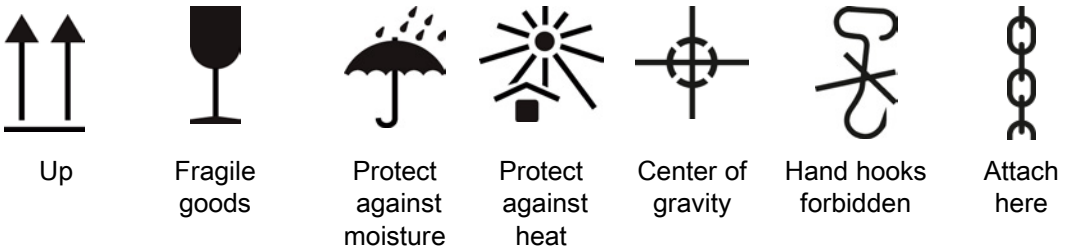
4.3 Storage

 <b>WARNING</b>
<b>Toppling over or slipping of the motor</b>
The motor can slide or topple over if it is not correctly lifted or transported. This can result in death, serious injury, or material damage.
<ul style="list-style-type: none"><li>• Use all the lifting eyes on the machine.</li><li>• Any eyes that are screwed in must be tightly fastened.</li><li>• Eyebolts must be screwed in right up to their supporting surface.</li><li>• If necessary, use suitable, sufficiently-sized transport equipment such as lifting straps (EN1492-1) and lashing straps (EN12195-2).</li></ul>

If any transport locks are in place, remove them before commissioning. Store the transport locks or disable them. Use the transport locks when transporting the motors again or reactivate the transport locks.

The machines are packed in different ways depending on how they are transported and their size. If not otherwise contractually agreed, the packaging corresponds to the packing guidelines according to ISPM (International Standards for Phytosanitary Measures).

Comply with the images shown on the packaging. Their meaning is as follows:



### 4.3 Storage

#### Storing outdoors

<b>NOTICE</b>
<b>Damage to the motor</b>
Damage can occur if incorrectly stored.
Take all precautions to protect the motor under extreme climatic conditions, e.g. salt-laden and/or dusty, moist/humid atmospheres.

Choose a dry storage location which is safe from flooding and free from vibration. Repair any damage to the packaging before putting the equipment into storage if this is necessary to ensure proper storage conditions. In order to ensure protection against ground moisture,

locate machines, equipment and crates on pallets, wooden beams or foundations. Prevent equipment from sinking into the ground. Do not impede air circulation under the stored items.

Covers or tarpaulins used to protect the equipment against the weather must not come into contact with the surfaces of the equipment. Use wooden spacer elements to ensure that air can circulate freely around the equipment.

### Storing indoors

The storage rooms must provide protection against extreme weather conditions. They must be dry, free from dust, frost and vibration and well ventilated.

### Bare metal surfaces

For transport, the bare surfaces (shaft ends, flange surfaces, centering edges) should be coated with an anti-corrosion agent which will last for a limited amount of time (<6 months). Apply suitable anti-corrosion measures for longer storage times.

### Condensation drain hole

Open any condensation drain holes to drain the condensation depending on the environmental conditions, every six months at the latest.

### Storage time

Turn the shafts 1x every year to avoid bearing brinelling. Prolonged storage periods reduce the useful life of the bearing grease (aging).

#### Open bearings

- For open bearings e.g. 1Z, check the state of the bearing grease over 12 months.
- Replace the grease if it is identified that the grease has lost its lubricating properties or is polluted. The consistency of the grease will change if condensation is allowed to enter.

#### Closed bearings

- For sealed bearings, replace the DE and NDE bearings after a storage time of 48 months.

## 4.4 Electromagnetic compatibility

---

### Note

If the torque levels are very unequal (e.g. when a reciprocating compressor is being driven), a non-sinusoidal machine current will be induced whose harmonics can have an impermissible effect on the supply system and cause impermissible interference emissions as a result.

---

**Note**

**Converter**

- If operated with a frequency converter, the emitted interference varies in strength, depending on the design of the converter (type, interference suppression measures, manufacturer).
  - Avoid that the specified limit values stipulated for the drive system (consisting of the motor and converter) are exceeded.
  - You must observe the EMC information from the manufacturer of the converter.
  - The most effective method of shielding is to conductively connect a shielded machine supply cable to the metal terminal box of the machine (with a metal screw connection) over a large surface area.
  - On machines with integrated sensors (e.g. PTC thermistors), disturbance voltages caused by the converter may occur on the sensor cable.
- 

When used in accordance with their intended purpose and operated on an electrical supply system with characteristics according to EN 50160, the enclosed machines comply with the requirements of the EC Directive concerning electromagnetic compatibility.

**Immunity to interference**


The machines in principle fulfill the requirements of interference immunity in conformity with EN / IEC 61000-6-2 . If machines with integrated sensors (e.g. PTC thermistors) are used, the operating company must ensure sufficient interference immunity by selecting a suitable sensor signal lead (possibly with shielding, connected in the same way as the machine feeder cable) and a suitable evaluation unit.

When operating the machines from a converter at speeds higher than the rated speed, then the mechanical speed limits must be carefully observed (safe operating speed EN / IEC 60034-1).

# Assembly

## 5.1 Installation

### 5.1.1 Safety instructions

 <b>WARNING</b>
<p><b>Risk of burning</b></p> <p>Electrical machines have hot surfaces.</p> <p>Fatal or severe injuries and substantial material damage can occur if the required covers are removed or if the machines are not handled, operated, or maintained properly.</p> <ul style="list-style-type: none"> <li>• Allow the machine to cool down before starting any work on it.</li> <li>• Only remove covers in compliance with the applicable regulations.</li> <li>• Operate the machines properly.</li> <li>• Prevent parts (cables, etc.) from coming into contact with the machine enclosure.</li> </ul>

<p><b>NOTICE</b></p>
<p><b>Damage to the motor</b></p> <p>In order to avoid material damage, check the following points before commissioning the motor.</p> <ul style="list-style-type: none"> <li>• Using appropriate measures, check whether the correct direction of rotation of the motor has been set by the customer, e.g. by decoupling from the driven load.</li> <li>• Ensure that temperature-sensitive parts (cables, etc.) are not in contact with the machine enclosure.</li> <li>• Ensure that the condensation drain holes are always located at the lowest part of the motor.</li> </ul>


#### Note

Observe the technical data on the rating plates attached to the motor enclosure.

### 5.1.2 Safety instructions: Explosion-proof machines



#### Note

The increased level of danger in hazardous areas demands that you pay particular attention to the notes marked with .

### 5.1.3 Machine installation

#### General

---

**Note**

In order to prevent the eyebolts loosening, after mounting, tighten these or remove them.

---

<b>NOTICE</b>
---------------

<b>Damage to mounted components</b>
-------------------------------------

Material damage can occur if you use the mounted components to help lift the motor.
---

Do not use the mounted components to help lift the motor.
---

- For vertical installation, use all of the eyebolts provided and when necessary, hoisting straps (DIN EN 1492-1) and/or lashing straps (DIN EN 12195-2) to stabilize the position of the motor.
- Prevent foreign bodies from falling into the fan cover. For vertical machine installation with the shaft end facing downwards, attach a protective canopy.
- If the shaft extension is facing upwards, the user must prevent liquid from moving along the shaft and entering the motor.
- Clean bare metal surfaces with anti-corrosion agent using white spirit to ensure proper installation and / or machine mounting.
- Do not obstruct the ventilation! Do not draw in the discharged air directly – also from adjacent equipment.
- Avoid exposing them to direct, intense solar radiation, rain, snow, ice, or also dust for extended periods. Attach a covering structure or an additional cover when using or storing outdoors.
- Do not exceed the permissible axial and radial forces.
- Only use explosion-protected machines in appropriate areas in accordance with directive 1999/92/EG .  
If the certificate is supplemented by an X, observe the special conditions listed in the EC type examination certificate. Special conditions for explosion-proof machines (Page 13)
- When installing electrical systems in hazardous zones, observe EN / IEC 60079-14 and the corresponding country regulations.
- The machine temperature class specified on the rating plate must be equal to or greater than the temperature class of any combustible gases that may develop.



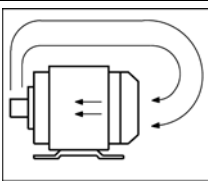
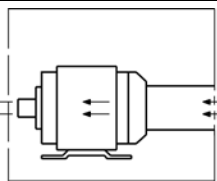
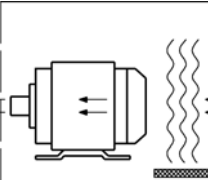
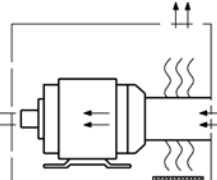
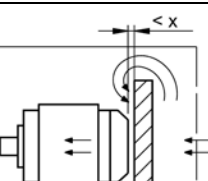
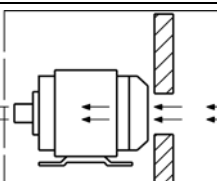
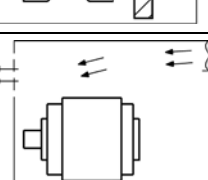
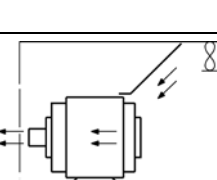
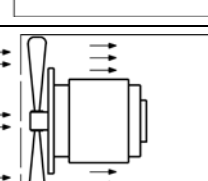
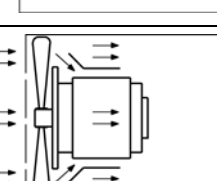


## 5.1.4 Cooling

### 5.1.4.1 Ventilation

<p><b>⚠ CAUTION</b></p> <p><b>Overheating and failure of the motor</b></p> <p>Material damage or slight injury can occur if you do not observe the following points:</p> <ul style="list-style-type: none"> <li>• Do not obstruct ventilation.</li> <li>• Prevent the air expelled by neighboring equipment from being immediately sucked in again.</li> <li>• On the vertical type of machine construction with air intake from above, protect the air inlets from the ingress of foreign bodies and water.</li> <li>• If the shaft extension is facing upwards, liquid must be prevented from entering by moving along the shaft.</li> </ul>
--

Table 5- 1 Air guidance

Incorrect	Correct
	
	
	
	
	

Minimum dimension "x" for the distance between neighboring modules and the air intake of the machine

Table 5- 2 Minimum dimension "X" for the distance between neighboring modules and the air intake of the machine

Frame size	X [mm]
63 ... 71	15
80 ... 100	20
112	25
132	30
160	40
180 ... 225	45
180 ... 200 (1LG)	90
225 ... 250 (1LG, 1MA6)	100
280 ... 315	110

### 5.1.5 Machines with type of construction IM B15, IM B9, IM V8 and IM V9

#### Special types of construction

**NOTICE**

**Damage to the motor**

Material damage can occur if the following notes are not observed:

- The IM B3 bearing shield with built-in distance ring mounted at the DE is only used as transport lock. A warning label is attached to this bearing shield.
- The spacer ring is not a roller bearing.
- Remove the bearing shield and the spacer ring.
- Remove the transport lock before commissioning.

These machines do not have their own bearing system for the machine shaft at the drive end (DE). The machine shaft is accepted by the (hollow) shaft or coupling of the plant or driven machine.

Using the centering flange, the machine is aligned with respect to enclosures, flanges or driven machines.

Note that the temperature of the motor and motor shaft increases during operation. The thermal expansion of the machine shaft must be compensated by the customer in the form of suitable measures.

Use the spring washers provided to locate the NDE bearing without any play.

## 5.1.6 Balancing

### CAUTION

#### Incorrect mounting or removal

To avoid injury and material damage, carefully observe general touch protection measures for output transmission elements.

- The general touch protection measures for drive output elements must be observed.
- Output elements may only be attached or withdrawn using the correct equipment.
- The feather keys are only secured against falling out during shipping. If you commission a machine without an output element, the feather keys must be secured to prevent them from being thrown out.

The rotor is dynamically balanced. The balancing quality corresponds to vibration severity grade "A" for the complete machine as standard. The optional vibration severity grade "B" is indicated on the rating plate.

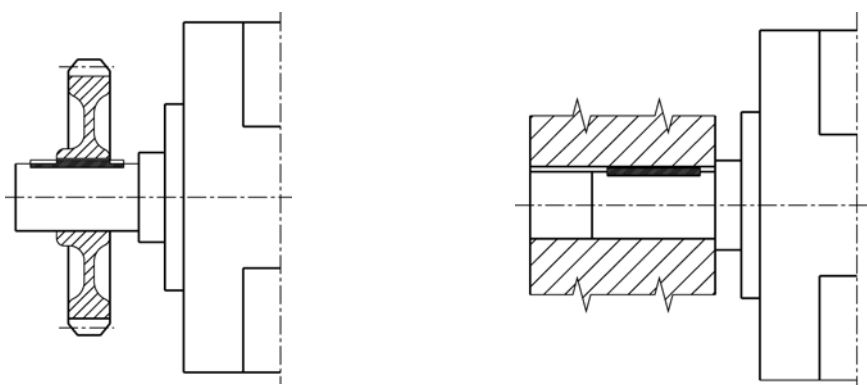
The declaration regarding the type of featherkey for balancing is generally marked on the rating plate and optionally on the face of the shaft end.

#### Designation:

- As a standard measure, balancing is carried out dynamically with a half featherkey (code "H") in accordance with ISO 8821.
- "F" means balancing with a whole featherkey (optional version).
- "N" means balancing without a featherkey (optional version).

The featherkey data on the shaft and transmission element must indicate the correct type of balancing in each case and must be correctly mounted.

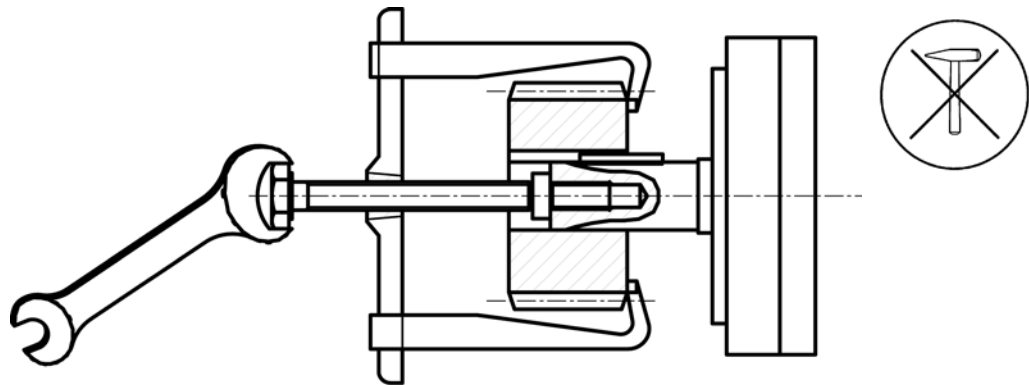
The balancing quality corresponds to vibration severity grade "A" for the complete machine; vibration severity grade "B" is possible as an option, i.e. in order to ensure the desired balancing quality, it must be ensured that the featherkey data on the hub and machine shaft complement each other in the case of a shorter or longer output transmission element.



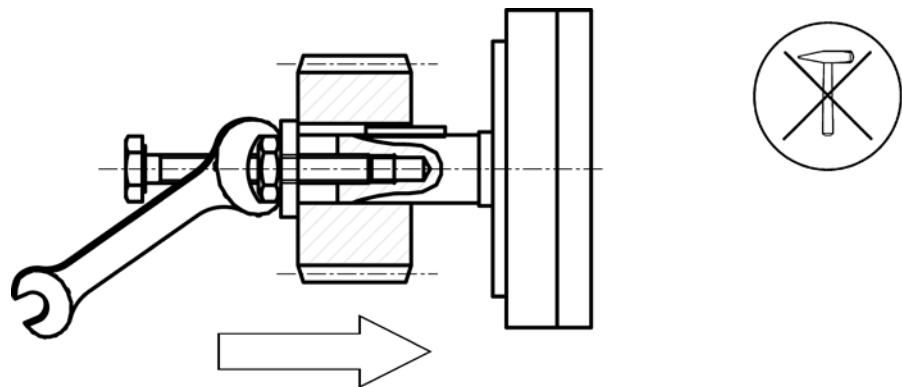
Measures conforming to ISO 10816 must be taken in order to compensate any offset between electrical machines and driven machines.

The foundation must be designed according to DIN 4024.

5.1.6.1 Mounting and withdrawing output transmission elements



Withdrawing output transmission elements



Mounting output transmission elements

- When mounting output transmission elements (coupling, gear wheel, belt pulley etc. ) use the thread at the shaft end.  
If possible, heat up the output transmission elements as required.
- Use a suitable device when withdrawing output elements.
- When mounting or withdrawing, do not apply any blows, for example with a hammer or similar tool, to the parts to be mounted or withdrawn.
- Only transfer radial or axial forces specified in the catalog to the motor bearings via the shaft extension.

### 5.1.7 Noise emission

**CAUTION****Hearing damage when operating three-phase motors**

If you exceed the permissible sound pressure level, hearing damage can occur when operating three-phase motors at their rated power.

Observe the maximum permissible sound pressure level according to the ISO 1680 standard. The maximum permissible sound pressure level is 70 dB (A).

## 5.2 Alignment and fastening

When aligning and mounting, please observe the following:

- Uniform mounting surface
- Mounting feet and flanges are securely fixed.
- Precise alignment for a direct coupling
- Mounting surfaces must be clean
- Repair any damage to the paint, this must be done immediately and correctly.
- Remove any anti-corrosion protection using white spirit.
- Avoid installation-related resonances with the rotating frequency and twice the line frequency.
- Listen for unusual noises when turning the rotor manually.
- Check the direction of rotation with the machine decoupled.
- Avoid rigid couplings.

### Measures

The following measures are required in order to compensate any radial offset at the coupling and to horizontally adjust the electrical machine with respect to the driven load:

- **Vertical positioning.**  
When vertically positioning the machine, place thin metal shims under the mounting feet in order to avoid tensioning and deforming the motor. The number of shims should be kept as low as possible i.e. only stack a few shims.
- **Horizontal positioning**  
To position the machine horizontally, shift it sideways on the foundation and ensure that the axial position is maintained (angularity error).
- When positioning the motor, ensure that a uniform axial gap is maintained around the coupling.
- **Smooth running**  
Stable, vibration-free design of the foundations in accordance with DIN 4024 and precise

alignment of the coupling, as well as a well-balanced transmission element (coupling, belt pulleys, fans, etc.), are prerequisites for smooth running with low vibration.

Maximum permissible vibration in operation according to ISO 10816 must be complied with.

Inadmissible vibration caused for example, by imbalance (drive output element), external vibration or any resonance in the complete speed range must be avoided.

It may be necessary to completely balance the machine with the drive output element or the system resonance frequency must be shifted.

- **Foot/flange mounting**

Use thread sizes specified in EN 50347 for mounting the motor to foundations or to machine flanges. Attach the machine at four foot or flange holes in a rectangular configuration with respect to one another. The customer is responsible for selecting the strength of the fixing elements.

For the fixing elements up to and including frame size 160, property class 5.6 or higher is recommended, from frame size 180, property class 8.8 or higher.

For IM B14 flanges, select the correct screw length.

---

**Note**

Only authorized retrofit partners must be employed to relocate the bolted on mounting feet at the machine enclosure.

In order to avoid stressing and deforming the motor, ensure that the foot mounting surfaces are aligned in one plane and are parallel to the machine shaft. Post-machine the foot mounting surfaces or use thin shims, for example.

---

### 5.2.1 Flatness of supporting surfaces

#### Flatness of the supporting surfaces for conventional motors

Frame size	Flatness [mm]
≤ 132	0,10
160	0,15
≥ 180	0,20

### 5.2.2 Machine frame mounting feet (special design)

---

**Note**

For terminal boxes mounted at the NDE (option H08), dimension C can deviate from EN 50347.

For motors with double or triple holes at the NDE, maintain the foot mounting dimensions as specified in standard EN 50347 .

---

## Electrical connection

### 6.1 Connecting the machine

#### 6.1.1 General



#### **! DANGER**

##### **Hazardous voltages**

Death, injury or material damage can occur. Note the following safety information before connecting-up the machine:

- Only qualified and trained personnel should carry out work on the machine while it is stationary.
- Disconnect the machine from the power supply and take measures to prevent it being reconnected. This also applies to auxiliary circuits.
- Check that the machine really is in a no-voltage condition.
- Establish a safe protective conductor connection before starting any work.
- If the incoming power supply system displays any deviations from the rated values in terms of voltage, frequency, curve form or symmetry, such deviations will increase the temperature and influence electromagnetic compatibility.



#### **! DANGER**

##### **Hazardous voltages**

Death, injury or material damage can occur. Operating the machine on a line supply system with a non-grounded neutral point is only permitted over short time intervals that occur rarely, e.g. the time leading to a fault being eliminated (ground fault of a cable, EN 60034-1).

Observe the information in EN / IEC 60034-1 (VDE 0530-1) regarding operation at the limits of the A zones ( $\pm 5\%$  voltage difference and  $\pm 2\%$  frequency difference) and the B zones, especially in respect of temperature increase and deviation of the operating data from the rated data on the rating plate. Never exceed the specified limits!

Connect up so that a permanently safe electrical connection is guaranteed (no protruding wire ends); use the assigned cable-end fittings (e.g. cable lugs, end sleeves).

Connect up the line supply voltage and arranged the disconnecting link in accordance with the circuit diagram provided in the terminal box.

Select connecting cables according to DIN VDE 0100 taking into account the rated current and the system-dependent conditions (e.g. ambient temperature, routing type etc. according to DIN VDE 0298 or EN / IEC 60204-1).

The technical specifications stipulate the following that have to be taken into account with respect to the motor connection:

- Direction of rotation.
- The number and arrangement of the terminal boxes.
- The circuit and connection of the machine winding.



The following features make this type of electrical connection different from that for standard machines:

- Maintain the area A in EN / IEC 60034-1 (VDE 0530-1) ( $\pm 5\%$  voltage or  $\pm 2\%$  frequency deviation, waveform, line supply symmetry) so that the temperature rise remains within the permissible limits.
- Larger deviations from the rated data may result in electrical machines heating up to impermissible levels. This information must be specified on the rating plate. Under no circumstances exceed the limits!
- Protect every machine with type of protection increased safety "e" in accordance with EN / IEC 60079-14 against an inadmissible temperature rise using a current-dependent, delayed circuit breaker with phase failure protection and asymmetry detection corresponding to EN / IEC 60947 or using an equivalent device in all phases.
- For machines with type of protection increased safety "e", select the overcurrent device with current-dependent delayed trip so that the tripping time, which should be taken from the characteristic of the switch for the ratio  $I_A / I_N$  of the machine to be protected, is no longer than the safe-locked rotor time  $t_E$ . Take the ratio  $I_A / I_N$  as well as the safe-locked rotor time  $t_E$  from the rating plate. Set the protective device to the rated current. Use a certified tripping unit in accordance with RL 94/9/EC.
- For machines with increased safety "e" type of protection, in the event of a locked rotor the protective device must disconnect within the  $t_E$  time specified for the relevant temperature class. Protect electrical machines for heavy duty starting (acceleration time  $> 1.7 \times t_E$  time) according to the specifications of the EC-type examination certificate using a starting monitoring function.  
Direct monitoring of the winding temperature is permissible as a means of thermal machine protection, provided that this is certified and specified on the rating plate.
- With pole-changing machines, separate, interlocked protective devices are required for each speed step. Devices with an EC-type examination certificate are recommended.



## 6.1.2 Terminal designations

With the terminal designations according to DIN VDE 0530 Part 8 or EN / IEC 60034-8 for three-phase machines, the following principle definitions apply:

Table 6- 1 Terminal designations (with the 1U1-1 as an example)

1	U	1	-	1	Designation
x					Index showing the pole assignment for pole-changing machines (where applicable, a lower number indicates a lower speed) or, in special cases, for a subdivided winding.
	x				Phase designation (U, V, W)
		x			Index showing the start (1) / end (2) or tapping point of the winding (if there is more than one connection per winding)
				x	Additional index for cases in which it is obligatory to connect parallel power feed cables to several terminals with otherwise identical designations

## 6.1.3 Direction of rotation

The standard motors are suitable for clockwise and counter-clockwise rotation.

Connection of the power cables in the phase sequence L1, L2, L3 to U1, V1, W1 results in clockwise rotation (looking at the DE shaft end on the drive side). If two of the connections are interchanged, then the resulting direction of rotation is counter-clockwise (e.g. L1, L2, L3 to V1, U1, W1).

In the case of machines intended for only one direction of rotation, the defined direction of rotation e.g. for machines with an axial fan, is marked by a direction arrow on the machine.

## 6.1.4 Connection with/without cable lugs

In the case of terminals with terminal clamps, distribute the conductors in such a way that the clamping heights on both sides of the fillet are about the same. This method of connection requires that you must bend a single conductor in a U shape or use a cable lug. The same applies to the inner and outer terminals of the ground conductor.

When connecting up using cable lugs, select their size corresponding to the required cable cross-section and the stud size. An inclined arrangement is only permitted provided the required air clearances and creepage distances are carefully maintained.

Remove the insulation from the conductor ends so that the remaining insulation is almost long enough to reach the cable lug.

---

### Note

The direct contact between the cable lug surfaces and the contact nuts or contact screws ensure that the connection can conduct current.

---

### 6.1.5 Connection with cable lug for explosion-protected machines



<p><b>⚠ WARNING</b></p> <p><b>Short-circuit hazard</b></p> <p>Live conductors released from the terminal board can cause short circuits. Death or serious physical injury can result.</p> <ul style="list-style-type: none"><li>• You must bend single-core line conductors into a U shape in order to prevent the contact force being transferred at just one side.</li><li>• In order to prevent the cable lug from rotating, for a line connection using a cable lug, angle single- or multi-core cables downwards through an angle of approx. 40°.</li></ul>
--

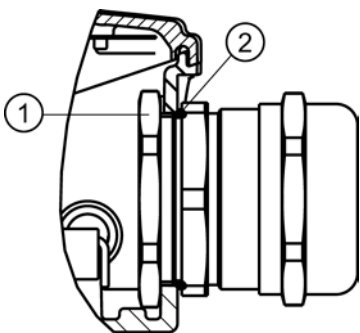
### 6.1.6 Connecting protruding cables

In the case of connection cables brought out of the machine, no terminal board is installed on the terminal base of the machine housing. The connection cables are directly connected to stator winding terminals at the factory.

The connection cables are color-coded or labeled. The customer directly connects individual cables in the control cabinet for their system in accordance with the labeling.

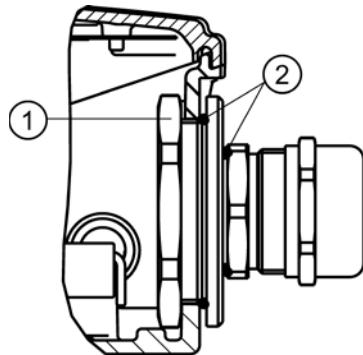
### 6.1.7 Cable glands

#### Cable glands with (sheet metal) nuts (EN 50262)



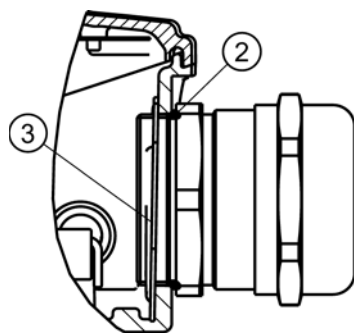
- ① Nut
- ② O ring

Cable glands with reductions and (sheet metal) nuts (EN 50262)



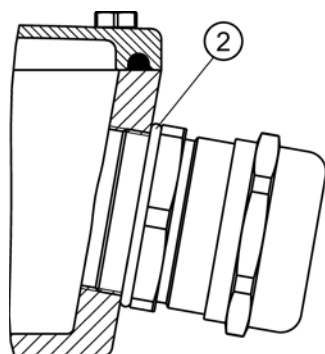
- ① Nut
- ② O ring

6.1.7.1 Mounting position of sheet metal nuts in screw-type connections



- ② O ring
- ③ Mounting position of metal-sheet nuts


Cable glands with connecting thread in the terminal box (EN 50262)



- ② O ring

## 6.1.8 Terminal box

### 6.1.8.1 General

 <b>DANGER</b>
<b>Hazardous voltage</b>
Electric motors have high voltages. When incorrectly handled, this can result in death or severe injury.
Switch off the machine so that it is in a no-voltage condition before you open the terminal box.

<b>NOTICE</b>
<b>Damage to the terminal box</b>
If you incorrectly carry out work on or in the terminal box, this can result in material damage. You must observe the following to avoid damaging the terminal box:
<ul style="list-style-type: none"><li>• Ensure that the components inside the terminal box are not damaged.</li><li>• It must be ensured that there are no foreign bodies, dirt or moisture in the terminal box.</li><li>• Close the terminal box using the original seal so that it is dust tight and water tight.</li><li>• Use O-rings or suitable flat gaskets to seal entries in the terminal box (DIN 42925) and other open entries.</li><li>• Please observe the tightening torques for cable glands and other screws.</li><li>• When performing a test run, secure the feather keys without output elements.</li></ul>

### Terminal box- terminal board versions, 1LE 80...90



Machines, frame sizes 80 ... 90, are supplied with different terminal boards depending on the winding as well as the type and number of installed parts.



**⚠ WARNING**

**Hazardous voltage**

Loosening the safety torx screw can result in death, serious injury or material damage.

Do not loosen the safety torx screw with respect to the center terminal, as this ensures a conductive connection between the grounding conductor and frame!

**NOTICE**

**Serious damage to the machine**

Failure to observe these measures will destroy the motor.

- Only rotate the terminal box if the connection cables have still not been laid.
- If you release the safety torx screw at both sides of the outer connecting terminals, this can destroy the machine.
- Remove the three large snap hooks on the terminal board before rotating the the terminal box. Keep the snap hooks pressed while rotating the terminal box and use a screwdriver to re-engage when finished.

### 6.1.8.2 Versions

#### Standard design



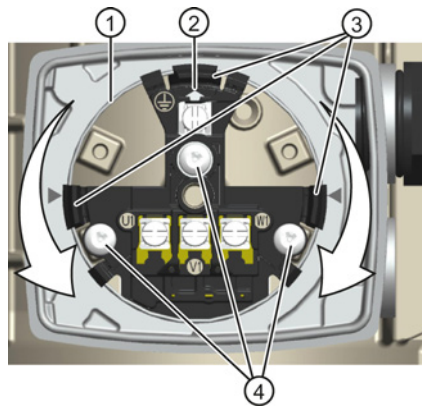
It is possible to turn the top side of a machine terminal box 4 x 90 degrees (if screwed on).

The terminal box can be turned 4x90 degrees on the terminal base of the machine's housing in the case of a terminal board with 6 terminal studs (standard design).

For machines with frame sizes 80 ... 90, with central terminal box locking (basic or optional terminal board), the terminal box can be rotated continuously through 360 degrees.

### Installation instructions

1. Press the three large snap hooks ③ over the flange ① of the terminal box towards the inside.
2. Hold the snap hooks ③ pressed inwards, detach the terminal box, raise it slightly and rotate it to the required POSITION. Observe the arrow for the position of the terminal box ②.
3. Press the terminal box lightly towards the machine housing. Use a screwdriver to allow the large snap hooks ③ to engage over the flange ① of the terminal box.



- ① Flange
- ② Terminal box positioner
- ③ Snap hooks
- ④ Safety Torx screws

### Optional terminal board (star or delta circuit)



#### NOTICE

#### **Arcing at the optional terminal board can destroy the machine**

In order to prevent destroying the machine, it is absolutely essential that you comply with the following note:

To change the operating mode, always press the jumper fully into the base of the slot and use the red locking lever to ensure that it is engaged.

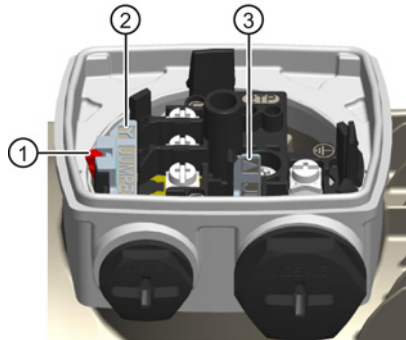
### Connection system for the optional terminal board

#### Optional terminal board (star or delta circuit)

You can use the jumpers to set the operating mode for machines that have an optional terminal board.

## Installation instructions

1. Open the red locking lever ① and remove the jumper ② from the slot.
2. Release the snap hook on the compartment and remove the jumper ③.
3. Press the jumper ③ fully into the base of the slot and engage the locking lever at its end position.
4. Press the jumper ② into the compartment and allow the snap hooks to re-engage at the compartment.



Explosion-protected machines (with the exception of machines for Zone 22) are equipped with terminal boxes with type of protection increased safety "e".


For 1MJ machines, terminal boxes with type of protection flameproof enclosure "d" with explosion group IIC are available as an option.

Please note in this regard design, connection options and spare parts.

Note the explosion protection information designated with  in the operating instructions!

Have authorized Siemens workshops perform any repairs.

### 6.1.8.3 Protruding connection cables

 <b>WARNING</b>
<b>Risk of short-circuit and voltage hazard</b>
A short-circuit can occur if the connecting cables are clamped between the enclosure parts and cover plate. This can result in death, severe injury and material damage. During disassembly and particularly when installing the cover plate, make sure that the connecting cables are not clamped between enclosure parts and the cover plate.

<b>⚠ CAUTION</b>
<b>Damage to connecting cables that are freely led out</b>
You must observe the following note to avoid damaging connecting cables that are freely led out:
<ul style="list-style-type: none"><li>• It must be ensured that there are no foreign bodies, dirt, or moisture in the terminal base of the machine enclosure.</li><li>• Use O-rings or suitable flat gaskets to seal entries in cover plates (DIN 42925) and other open entries.</li><li>• Seal the terminal base of the machine enclosure using the original seal of the cover plate to prevent dust and water from entering.</li><li>• Please observe the tightening torques for cable glands and other screws.</li></ul>

#### 6.1.8.4 Connecting the temperature sensor/anti-condensation heater

Auxiliary circuits are connected in the terminal box.

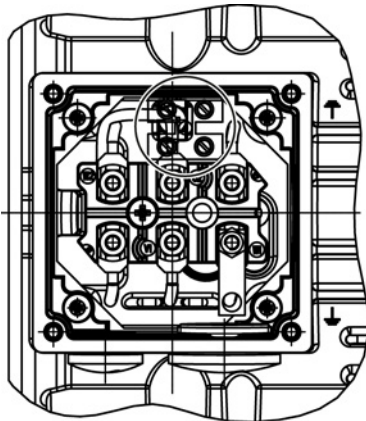


Figure 6-1 Connection to terminal strip

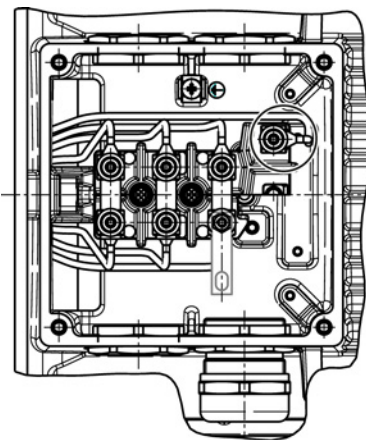


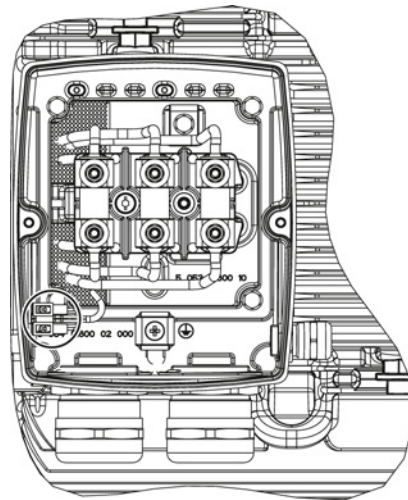
Figure 6-2 Connection to terminal board



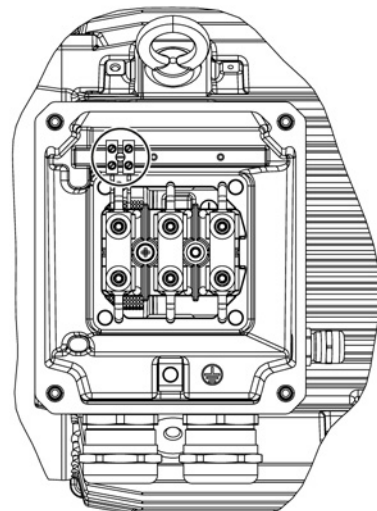


The temperature sensor / anti-condensation heater is connected in the terminal box.

Table 6- 2 Connection to terminal strip

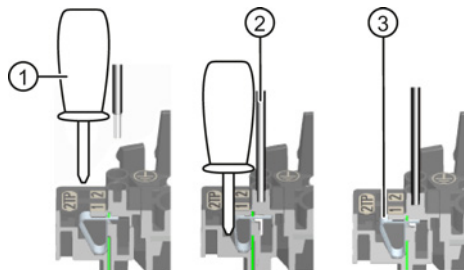


Aluminum



Cast iron

### Connection at the temperature sensor using a spring-loaded connection system

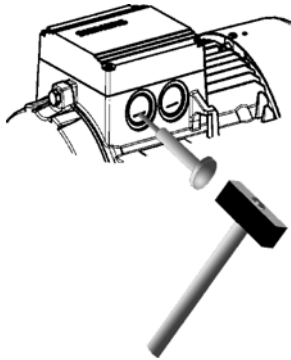


- ① Flat-head screwdriver
- ② Sensor cable
- ③ Tension spring

### 6.1.8.5 Cable entry

#### Knockout openings

<b>NOTICE</b>
<b>Damage to the terminal box</b>
You must observe the following notes to avoid damaging the terminal box:
<ul style="list-style-type: none"><li>• Knockout openings in the terminal box must be knocked out using appropriate methods.</li><li>• Take care not to damage the terminal box or its interior components (the terminal board, cable connections, and so on).</li></ul>



#### Assembly and laying of cables

Screw the screw-type connection into the housing or fasten with a nut.

---

#### Note

The screw-type connections must have been matched to the connecting cables used (armoring, braid, shield).

---



<b>NOTICE</b>
<b>Damage to terminal board</b>
The terminal board can be damaged for incorrect installation and routing. You must apply the following measures to avoid damaging the terminal board:
<ul style="list-style-type: none"><li>• Remove the screw-type connections (EN 50262) only when the terminal box is closed.</li><li>• Tighten the screw-type connections to rated torque value only when the terminal box is closed.</li><li>• Tighten the screw-type connections only finger tight when the terminal box is open.</li><li>• Make sure that the three large snap hooks are engaged when tightening the screw connections.</li></ul>

### Cable entries for explosion-proof machines



The cable glands must have an EC-type examination certificate and be certified for the respective hazardous zone.

- Any openings that are not being used must be sealed using the corresponding certified plugs.
- Please observe the manufacturer's specifications when fitting cable entries.
- Before installing the cable, remove the dust protection element or plug from the cable gland.

#### 6.1.8.6 Thread sizes in terminal box



Table 6-3 Thread sizes in the cast iron terminal box

Frame size	Type	Type of protection / Zone	Standard thread		Additional thread with mounting parts	
			Size	Number	Size	Number
71 ... 90	1MJ6	Increased safety "e"	M 25x1.5	2	-	-
		Zone 21	M 16x1.5	1		
71 ... 90	1MJ6	Flameproof enclosure "d"	M 25x1.5	1	M 20x1.5	1
		Zone 21				
100 ... 132	1LA6 1MA6	Increased safety "e"	M 32x1.5	2	M 16x1.5	1
		Non sparking "n"				
		Zone 22				
100 ... 132	1MJ6	Increased safety "e"	M 32x1.5	2	-	-
		Zone 21	M 16x1.5	1		
100 ... 132	1MJ6	Flameproof enclosure "d"	M 32x1.5	1	M 20x1.5	1
		Zone 21				
160	1LA6 1MA6	Increased safety "e"	M 40x1.5	2	M 16x1.5	1
160M/L	1MJ6	Increased safety "e"	M 40x1.5	2	M 16x1.5	2
		Zone 21				
160	1MJ6	Flameproof enclosure "d"	M 40x1.5	1	M 20x1.5	1
		Zone 21				
180	1MA6 1MJ6	Increased safety "e"	M 40x1.5	2	M 16x1.5	2
		Zone 21				
180	1MJ6	Flameproof enclosure "d"	M 40x1.5	1	M 20x1.5	1
		Zone 21				
180	1LG4 1LG6	Non sparking "n"	M 40x1.5	2	M 20x1.5	2
		Zone 21				
		Zone 22				

6.1 Connecting the machine

Frame size	Type	Type of protection / Zone	Standard thread		Additional thread with mounting parts	
			Size	Number	Size	Number
200	1MA6 1MJ6	Increased safety "e"	M 50x1.5	2	M 16x1.5	2
		Zone 21				
200	1MJ6	Flameproof enclosure "d"	M 50x1.5	1	M 20x1.5	1
		Zone 21				
200	1LG4 1LG6	Non sparking "n"	M 50x1.5	2	M 20x1.5	2
		Zone 21				
		Zone 22				
225	1LG4 1LG6 1MA6	Increased safety "e"	M 50x1.5	2	M 20x1.5	2
		Non sparking "n"				
		Zone 21				
		Zone 22				
250 ... 315	1LG4 1LG6 1MA6	Increased safety "e"	M63 x 1.5	2	M 20x1.5	2
		Non sparking "n"				
		Zone 21				
		Zone 22				



Table 6- 4 Thread sizes in the aluminum terminal box


Frame size	Type	Type of protection / Zone	Standard thread		Additional thread with mounting parts	
			Size	Number	Size	Number
63 ... 90	1LA7 1LA9 1MA7	Increased safety "e"	M 16 x 1.5	1	-	-
		Non sparking "n"	M 25 x 1.5	1	-	-
		Zone 21				
		Zone 22				
71 ... 90	1MJ6	Increased safety "e"	M 25x1.5	2	M 16x1.5	1
		Zone 21				
100 ... 132	1LA7 1LA9 1MA7	Increased safety "e"	M 32x1.5	4	-	-
		Non sparking "n"				
		Zone 21				
		Zone 22				
100 ... 132	1MB1	Non sparking "n"	M 32x1.5	2	M 16x1.5	1
		Zone 21				
		Zone 22				
100 ... 132	1MJ6	Increased safety "e"	M 32x1.5	2	M 16x1.5	1
		Zone 21				

Frame size	Type	Type of protection / Zone	Standard thread		Additional thread with mounting parts	
160	1LA7 1LA9 1MA7	Increased safety "e"	M 40x1.5	4	-	-
		Non sparking "n"				
		Zone 21				
		Zone 22				
160	1MB1	Non sparking "n"	M 40x1.5	2	M 16x1.5	1
		Zone 21				
		Zone 22				
160M	1MJ6	Increased safety "e"	M 40x1.5	2	M 16x1.5	1
		Zone 21				
180	1LA5	Zone 21	M 40x1.5	2	M 16x1.5	1
		Zone 22				
180	1LG4 1LG6	Non sparking "n"	M 40x1.5	2	M 20x1.5	2
		Zone 21				
		Zone 22				
180	1MA6 1MJ6	Increased safety "e"	M 40x1.5	2	M 16x1.5	2
		Zone 21				
200 ... 225	1LA5	Zone 21	M 50x1.5	2	M 16x1.5	1
		Zone 22				
200	1MA6 1MJ6	Increased safety "e"	M 50x1.5	2	M 16x1.5	2
		Zone 21				
200	1LG4 1LG6	Non sparking "n"	M 50x1.5	2	M 20x1.5	2
		Zone 21				
		Zone 22				
225	1LG4 1LG6 1MA6	Increased safety "e"	M 50x1.5	2	M 20x1.5	2
		Non sparking "n"				
		Zone 21				
		Zone 22				

## 6.2 Tightening torques

### 6.2.1 Electrical connections - Terminal board connections

Table 6- 5 Tightening torques for electrical connections on the terminal board

	Thread Ø		M 3,5	M 4	M 5	M 6	M 8	M 10	M 12	M 16
	Nm	min	0,8	0,8	1,8	2,7	5,5	9	14	27
		Max.	1,2	1,2	2,5	4	8	13	20	40

### 6.2.2 Cable glands

**Note**

Avoid damaging the cable jacket.

Adapt the tightening torques to the cable jacket materials.

You should refer to the table in order to find the correct tightening torque for any metal and plastic cable glands that are to be mounted directly on the machine, as well as for any other screw-type connections (such as adapters).

Table 6- 6 Tightening torques for cable glands

	Metal ± 10% [Nm]	Plastic ± 10% [Nm]	Clamping range [mm]		O ring Cord dia. [mm]
			Standard -30 °C ... 100 °C Ex -30 °C ... 90 °C	Ex -60 °C ... 105 °C	
M 12 x 1.5	8	1,5	3,0 ... 7,0	-	2
M 16 x 1.5	10	2	4,5 ... 10,0	6,0 ... 10,0	
M 20 x 1.5	12	4	7,0 ... 13,0	6,0 ... 12,0	
M 25 x 1.5			9,0 ... 17,0	10,0 ... 16,0	
M 32 x 1.5	18	6	11,0 ... 21,0	13,0 ... 20,0	
M 40 x 1.5			19,0 ... 28,0	20,0 ... 26,0	
M 50 x 1.5	20		26,0 ... 35,0	25,0 ... 31,0	
M 63 x 1.5			34,0 ... 45,0	-	



The cable glands must have an EC-type examination certificate and be certified for the respective hazardous zone.

- Any openings that are not being used must be sealed using using the appropriate certified plugs.
- Please observe the manufacturer's specifications when fitting cable glands.

### 6.2.3 Terminal boxes, end shields, grounding conductors, sheet metal fan covers


If no other tightening torques are specified, then the values in the following table apply.

Table 6- 7 Tightening torques for screws on the terminal box, end shields, screw-type grounding conductor connections

	Thread Ø		M 4	M 5	M 6	M 8	M 10	M 12	M 16	M20
	Nm	min	2	3.5	6	16	28	46	110	225
		max	3	5	9	24	42	70	165	340



Table 6- 8 Tightening torques for self-tapping screws on the terminal box, end shields, screw-type grounding conductor connections, sheet metal fan covers

	Thread Ø		M 4	M 5	M 6
	Nm	min	4	7,5	12,5
		max	5	9,5	15,5

## 6.3 Conductor connection

### 6.3.1 General information on conductor connection

Cross-sections that can be connected depending on the size of the terminal (possibly reduced due to size of cable entries)



<p><b>⚠ WARNING</b></p> <p><b>Short-circuit hazard</b></p> <p>Connection and installation errors at connecting cables and cover washers can result in a short-circuit. Death or serious physical injury can result.</p> <p>Note the following precautionary measures:</p> <ul style="list-style-type: none"> <li>• Do not lay connection cables over the central dome of the terminal board.</li> <li>• Observe the opening direction and the mounting position of the cover washers on the terminal board.</li> </ul>
--

Table 6- 9 Max. conductor connection for standard machines and Zone 22

Frame size	Max. connectable conductor cross-section [mm <sup>2</sup> ]
56 ... 90	1,5 2.5 with cable lug
100 ... 112	4,0
132	6,0
160 ... 180	16,0
200	25,0
225	35.0 with cable lug
250 ... 280	120,0
315	240,0

6.3 Conductor connection

Table 6- 10 Max. conductor connection for explosion-proof machines (with the exception of Zone 22 and 1MJ) and VIK standard version

Frame size	Max. connectable conductor cross-section [mm <sup>2</sup> ]
56 ... 112	4,0
132	6,0
160	16,0
180	10,0
180 (1LG4, 1LG6)	16,0
200 ... 225	50,0
250 ... 280	120,0
315	240,0

Table 6- 11 Max. conductor connection for standard 1MJ machines

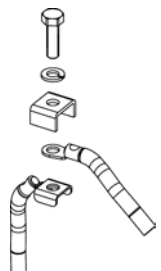
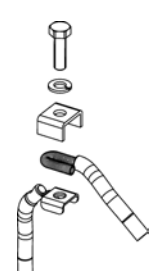
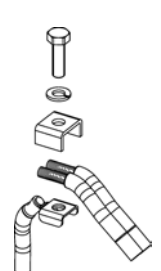
Frame size	Max. connectable conductor cross-section [mm <sup>2</sup> ]
71 ... 80	4,0
90 ... 160 M	6,0
160 L	16,0
180	25,0
200 ... 225	50,0
250 ... 280	120,0
315	240,0

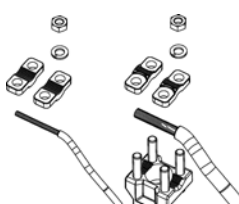
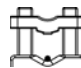



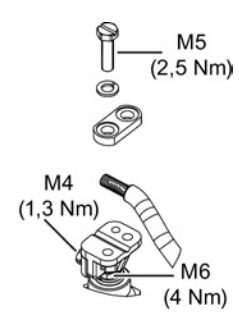
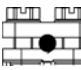
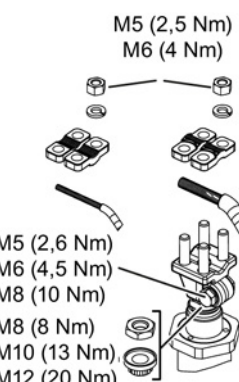




6.3.2 Type of conductor connection

Terminal board		Conductor crossection [mm <sup>2</sup> ]
<p><b>Connection with cable lug</b> DIN 46 234 Bend down the cable lug for the connection!</p>		... 25
<p>Connection of an individual conductor with terminal clamp</p>		... 10
<p>Connection of two conductors of approximately the same thickness with terminal clamp</p>		... 25

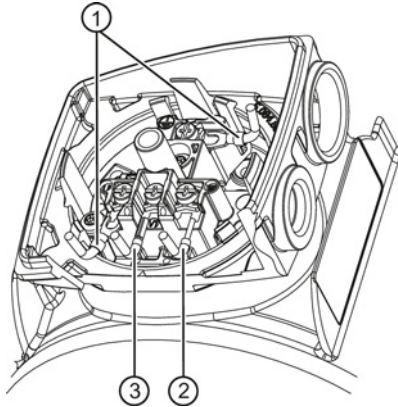
- ① Link rail
- ② Power supply cord
- ③ Motor connection cable
- ④ Cover washer



Terminal plate			Conductor cross-section [mm <sup>2</sup> ]
Bend down the cable lug for the connection!	1MA618.		... 10
	1MA620.		... 35
Connection of an individual conductor with terminal clamp	1MA618. ... 20.		... 25
Connection of two conductors of the same thickness with terminal clamp	1MA618. ... 20.		... 25

Connecting terminal		Conductor cross-section [mm <sup>2</sup> ]	
	1MA618. ... 22.		2,5 ... 25
	1MA625. ... 28.		10 ... 95
	1MA631.		25 ... 135
	1MA631. + L00		50 ... 300
	1MA618. ... 22.	 	... 16
	1MA625. ... 28.		... 35
	1MA631.		... 70
	1MA631. + L00		... 120
	1MA618. ... 22.		16 ... 50
	1MA625. ... 28.		50 ... 120
	1MA631.		95 ... 240
	1MA631. + L00		120 ... 400
	1MJ618.		2,5 ... 25
	1MJ62		2,5 ... 25
		 	16
			16 ... 50

### Recommended connection variants



- ① Cable lugs DIN 46237 with insulating sleeve (round and open)
- ② Rigid cable (insulation removed at ends  $\leq 8$  mm)
- ③ End sleeves DIN 46228  $\leq 8$  mm

If air gaps  $\geq 5.5$  mm (up to 690 V) are observed between non-insulated components, you can also use alternative connection elements without insulating sleeve, for example cable lugs acc. to DIN 46234 .

## 6.4 Connecting the grounding conductor

### 6.4.1 General information on connecting the grounding conductor

---

#### Note

The machine's grounding conductor cross-section must comply with EN / IEC 60034-1.

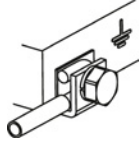
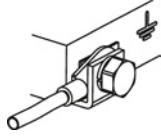
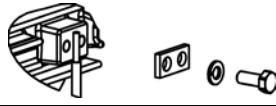

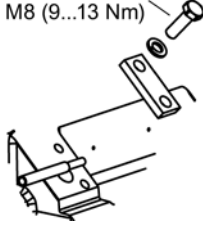
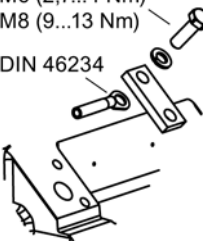
Please also observe installation regulations such as those specified in EN / IEC 60204-1.

---

Basically, there are two ways of connecting a grounding conductor to the machine.

- Internal grounding with a connection in terminal box at the location intended for this purpose and marked accordingly.
- External grounding with connection at the stator housing at the locations intended for this purpose and marked accordingly.

6.4.2 Grounding connection type

Enclosure grounding method		Conductor cross-section [mm <sup>2</sup> ]	
Connection of an individual conductor under the external grounding bracket.		... 10	
Connection is made using a DIN cable lug under the external grounding bracket. DIN 46 234		... 25	
External grounding	1MJ6071 ... 132		... 25
	1MJ618.		... 35
	1MJ6160 L	M6 (2,7...4 Nm) M8 (9...13 Nm) 	.. 35
	1MJ620.	M6 (2,7...4 Nm) M8 (9...13 Nm) DIN 46234 	... 50

### 6.4.3 Minimum surface area of grounding conductor

Table 6- 12 Minimum cross-sectional area of grounding conductor

Minimum cross-sectional area of phase conductor for installation S [mm <sup>2</sup> ]	Minimum surface area of associated grounding connection [mm <sup>2</sup> ]
$S \leq 16$	S
$16 < S \leq 35$	16
$S > 35$	0.5 S

#### Internal ground terminal

When making connections, ensure the following:

- connecting surface is bare and is protected against corrosion using a suitable substance, e.g. acid-free Vaseline.
- Locate the cable lug between the terminal clamps.
- Place a spring washer below the screw head.

#### External ground terminal

When making connections, ensure the following:

- connecting surface is bare and is protected against corrosion using a suitable substance, e.g. acid-free Vaseline.
- Position the cable lug between the contact bracket and the grounding bracket; do not remove the contact bracket pressed into the enclosure!
- Place a spring washer below the screw head.
- Maintain the tightening torque of the terminal screw as specified in the table.

### 6.4.4 Size of grounding conductor screw

Table 6- 13 Size of grounding conductor screw **external grounding** (except for 1MJ machines)

Frame size	Thread size for the grounding conductor
63 ... 90	M3.5 / M4
100 ... 112	M5
132 ... 180	M6
200 ... 225	M8
200 1LG4/6, 1LE1	2x M6
200 ... 315 1LG, 1LE1, 1MA	2x M8

For machines of size 80 ... 90 with central terminal-box locking, the ground conductor can also be connected with a cable lug in accordance with DIN46237, size M4.

Table 6- 14 Size of grounding conductor screw **external grounding** for 1MJ machines

Frame size	Thread size for the grounding conductor
71 ... 180	2x M6
200 ... 315	2x M8

## 6.5 Final measures

Before closing the terminal box/terminal base of the machine enclosure, check the following:

- Establish the electrical connections in the terminal box in accordance with the details in the sections above and tighten with the correct torque.
- The clearances between non-insulated parts have been maintained:  $\geq 5.5$  mm to 690 V,  $\geq 8$  mm to 1000 V.
- Avoid protruding wire ends!
- In order not to damage the cable insulation, freely arrange the connecting cables.
- Connect the machine corresponding to the specified direction of rotation.
- Keep the inside of the terminal box clean and free from trimmed-off ends of wire.
- Ensure that all seals and sealing surfaces are undamaged and clean.
- Correctly and professionally close unused openings in the terminal boxes.

Before closing the terminal box, check that

- the air clearances for explosion-protected machines (with the exception of machines for Zone 22) between non-insulated parts are maintained:  $\geq 10$  mm to 690 V.
- the minimum creepage distance for explosion-protected machines (with the exception of machines for Zone 22) between non-insulated parts is maintained:  $\geq 12$  mm to 690 V.



## 6.6 Connecting optional mounted components

### 6.6.1 External fan, incremental encoder, brake

See the list of additional operating instructions: Further documents (Page 116)



Select mounted components such as external fans, incremental encoders or brakes according to the requirements of the directive 94/9/EG .

#### 6.6.1.1 Mounting a brake



Table 6- 15 Assigning standard brakes for 1LE1 machines

Frame size (BG)	Brake type	Size assignment of the brakes	Tightening torque of manual lifting lever Nm
80	2LM8 010-3NA10 <sup>1)</sup>	08	2.8
90	2LM8 020-4NA10 <sup>1)</sup>	10	4.8
100	2LM8 040-5NA10 <sup>1)</sup>	12	4.8
112	2LM8 060-6NA10 <sup>1)</sup>	14	12
132	2LM8 100-7NA10 <sup>1)</sup>	16	12
160	2LM8 260-8NA10 <sup>1)</sup>	20	23
180	2LM8 315-0NA10 <sup>1)</sup>	20	23
200	2LM8 400-0NA10 <sup>1)</sup>	25	40
225	2LM8 400-0NA10 <sup>1)</sup>	25	40
250	KFB 63 <sup>2)</sup>	63	40
280	KFB 100 <sup>2)</sup>	100	40
315	KFB 160 <sup>2)</sup>	160	40

1) INTORQ Corp.

2) PINTSCH BUBENZER Corp.

#### 6.6.1.2 Mounted external fan



Tightening torque applied to the fastening screws used for attaching external fans to the housing, see Terminal boxes, end shields, grounding conductors, sheet metal fan covers (Page 54)

## 6.7 Connecting converters

<b>NOTICE</b>
<b>Excessively high supply voltage</b> Material damage can occur if the supply voltage is too high for the insulation system. The standard insulation system is designed so that converter operation is possible for line voltages up to $U_N \leq 500$ V. Maintain the following limit values in all operating states (voltage values are peak values): $\hat{U}_{\text{conductor-conductor}} \leq 1500$ V, $\hat{U}_{\text{conductor-ground}} \leq 1100$ V, voltage rise times of $t_s > 0.1$ $\mu$ s.

<b>NOTICE</b>
<b>Missing shielding</b> <ul style="list-style-type: none"><li>• Machines must always be connected to converters using shielded machine feeder cables.</li><li>• The most effective method of shielding is to conductively connect the cable to the metal terminal box of the machine (with a metal screw connections) through a large surface area.</li><li>• Please observe the section containing instructions on ensuring electromagnetic compatibility (EMC).</li></ul>

See the list of additional operating instructions: Further documents (Page 116)



<b>⚠ WARNING</b>
<b>Machine overheating</b> Operating explosion-protected machines at the converter without using the appropriate protective equipment can result in death or severe injury. Always use PTC thermistor monitoring when operating explosion-protected machines at the converter. Tripping units according to directive 94/9/EC are always necessary when using PTC thermistor monitoring.

### Machines with increased safety "e" type of protection

Converter operation for these machines must be expressly certified. It is essential that you observe the separate manufacturer's information and instructions. Converter and protective devices must be marked as belonging together and the permitted operating data must be defined in the common EC-type examination certificate.

### Machines operated from a converter for Zone 21 and Zone 22

These machines are generally equipped with three PTC thermistors in accordance with DIN 44082 with a rated response temperature that depends on the maximum possible surface temperature. Select the PTC thermistors in accordance with this standard. The maximum



temperature at the cable entries is 120° C. Use suitable cables for this temperature. Do not exceed the maximum frequency dependent on the number of poles, which is stamped on the rating plate.

#### **System, converter-cable-electrical machine**

Please observe the information in accordance with EN / IEC 60034-17 and EN / IEC 60034-25 regarding winding stress. For line supplies with operating voltages up to 690 V, the maximum value of the voltage peaks at the end of the cable must not exceed twice the value of the converter's DC-link voltage.

### **Machines with type of protection flameproof enclosure "d" or "de"**

#### **Temperature sensors for tripping**

These machines are equipped with three temperature sensors in the winding and one temperature sensor in the gland plate in order that the temperature class is maintained. Connect the temperature sensors in series according to the circuit diagram.

#### **Temperature sensors for alarm and trip**

These machines have for warning and shutdown three temperature sensors in the winding and one temperature sensor in the gland plate. Connect the temperature sensors in series according to the circuit diagram.

### **Mechanical limit speeds for converter operation**

Table 6- 16 Explosion-protected motors in Zone 1 with type of protection "de" (motor series 1MJ)

Motor- frame size	Motor type	2-pole <sup>1)</sup>		4-pole		6-pole		8-pole	
		$n_{max}$ rpm	$f_{max}$ Hz	$n_{max}$ rpm	$f_{max}$ Hz	$n_{max}$ rpm	$f_{max}$ Hz	$n_{max}$ rpm	$f_{max}$ Hz
<b>1MJ6</b>									
71 M	<b>1MJ6 07 .</b>	6000	100	3000	100	2000	100	1500	100
80 M	<b>1MJ6 08 .</b>	6000	100	3000	100	2000	100	1500	100
90 L	<b>1MJ6 09 .</b>	6000	100	3000	100	2000	100	1500	100
100 L	<b>1MJ6 10 .</b>	5400	90	3000	100	2000	100	1500	100
112 M	<b>1MJ6 11 .</b>	5400	90	3000	100	2000	100	1500	100
132 S/M	<b>1MJ6 13 .</b>	4800	80	3000	100	2000	100	1500	100
160 M/L	<b>1MJ6 16 .</b>	4500	75	3000	100	2000	100	1500	100
180 M/L	<b>1MJ6 18 .</b>	5100	85	3000	100	2000	100	1500	100
200 L	<b>1MJ6 20 .</b>	5100	85	3000	100	2000	100	1500	100

6.7 Connecting converters

Table 6- 17 Explosion-proof motors in Zones 2, 21 and 22 with type of protection "n" or protection against dust explosions (motor series 1LA, 1LG)

Motor-frame size	Motor type		2-pole <sup>1)</sup>		4-pole	6-pole		8-pole		
			n <sub>max</sub> rpm	f <sub>max</sub> Hz	n <sub>max</sub> rpm	f <sub>max</sub> Hz	n <sub>max</sub> rpm	f <sub>max</sub> Hz	n <sub>max</sub> rpm	f <sub>max</sub> Hz
<b>1LA5, 1LA6, 1LA7, 1LA9</b>										
56 M	1LA7/1LA9	05.	6000	100	3000	100	2000	100	1500	100
63 M	1LA7/1LA9	06.	6000	100	3000	100	2000	100	1500	100
71 M	1LA7/1LA9	07.	6000	100	3000	100	2000	100	1500	100
80 M	1LA7/1LA9	08.	6000	100	3000	100	2000	100	1500	100
90 L	1LA7/1LA9	09.	6000	100	3000	100	2000	100	1500	100
100 L	1LA6/1LA7/1LA9	10.	5400	90	3000	100	2000	100	1500	100
112 M	1LA6/1LA7/1LA9	11.	5400	90	3000	100	2000	100	1500	100
132 S/M	1LA6/1LA7/1LA9	13.	4800	80	3000	100	2000	100	1500	100
160 M/L	1LA6/1LA7/1LA9	16.	4500	75	3000	100	2000	100	1500	100
180 M/L	1LA5/1LA9	18.	5100 <sup>3) 4)</sup>	85 <sup>3) 4)</sup>	3000	100	2000	100	1500	100
200 L	1LA5/1LA9	20.	5100 <sup>3) 4)</sup>	85 <sup>3) 4)</sup>	3000	100	2000	100	1500	100
225 S/M	1LA5	22.	5100 <sup>4)</sup>	85 <sup>4)</sup>	3000	100	2000	100	1500	100
<b>1LG4, 1LG6</b>										
180 M/L	1LG4/1LG6	18.	4500	75	3000	100	2000	100	1500	100
200 L	1LG4/1LG6	20.	4500	75	3000	100	2000	100	1500	100
225 S/M	1LG4/1LG6	22.	4500	75	3000	100	2000	100	1500	100
250 M	1LG4/1LG6	25.	3900	65	3000	100	2000	100	1500	100
280 S/M	1LG4/1LG6	28.	3600	60	3000	100	2000	100	1500	100
315 S/M/L	1LG4/1LG6	31.	3600 <sup>1)</sup>	60 <sup>1)</sup>	2600	87	2000	87	1500	100

- 1) For continuous operation in the range f<sub>max</sub> (n<sub>max</sub>), an inquiry is required.
- 2) For vertical mounting n<sub>max</sub> = 3000 rpm, f<sub>max</sub> = 50 Hz.
- 3) For 1LA9 motors, frame sizes 180 M/L and 200 L, n<sub>max</sub> = 4500 min<sup>-1</sup> and f<sub>max</sub> = 75 Hz.
- 4) The values in the following table are used for explosion-protected motors with option D19

Frame size	N <sub>max</sub> rpm	f <sub>max</sub> Hz
180 M/L	3300	55
200 L	3100	51
225 S/M	3000	50

## 7.1 Insulation resistance

### 7.1.1 Testing the insulation resistance



#### **⚠ WARNING**

##### **Hazardous voltage at the terminals**

Only appropriately trained personnel may carry out this work.

Hazardous voltages are sometimes present at the terminals during and immediately after measurement of the winding insulation resistance. If you touch the terminals, this can result in death, serious injury or material damage.

If any power cables are connected, check to make sure line supply voltage cannot be connected. To discharge the winding, after measuring the insulation resistance, connect the winding to ground potential.

#### **NOTICE**

##### **Short-circuit**

Material damage can occur if you do not apply the following measures:

- Check the insulation resistance before commissioning and after any extended periods of storage or periods during which the equipment is not operational.
- Before measuring the insulation resistance, read the operating manual for the insulation resistance meter you are going to use.
- Disconnect any connected main-circuit cables from the terminals before measuring the insulation resistance.

#### **Note**

If the critical insulation resistance is less than or equal to this value, the windings must be dried or, if the fan is removed, cleaned thoroughly and dried.

Please note that the insulation resistance of dried, clean windings is lower than that of warm windings. The insulation resistance can only be properly assessed after conversion to the reference temperature of 25 °C.

#### **Note**

If the measured value is close to the critical value, you must check the insulation resistance at suitably frequent intervals.

### Measuring the insulation resistance

1. Before you begin measuring the insulation resistance, please read the operating manual for the insulation resistance meter you are going to use.
2. Disconnect any connected main-circuit cables from the terminals before measuring the insulation resistance.
3. Where possible, measure the insulation resistance of the winding with respect to the motor enclosure when the winding temperature is between 20 ... 30 °C. Different insulation resistance values apply for other temperatures.
4. When measuring, wait until the final resistance value is reached. This is reached after approximately one minute. Then read off the insulation resistance.

### Limit values of the stator winding insulation resistance

The following table indicates the measuring circuit voltage and the limit values for the minimum insulation resistance and the critical insulation resistance of the stator winding.

Table 7- 1 Insulation resistance of the stator unwinding at 25 °C

Measuring circuit voltage	500 V
Minimum insulation resistance for new, cleaned or repaired windings	10 MΩ
Critical specific insulation resistance after a long operating time	0,5 MΩ / kV

Note the following:

- If the measurements are performed at winding temperatures ≠ 25 °C, convert the measured value to the reference temperature of 25 °C in order to be able to compare the values with the table above.
  - The insulation resistance halves every time the temperature rises by 10 K.
  - The resistance doubles every time the temperature falls by 10 K.
- Dry, new windings have a typical insulation resistance of more than 100 ... 2000 MΩ depending on the winding size, design and rated voltage. An insulation resistance value close to the minimum value could be due to moisture and/or dirt accumulation.
- During operation, the insulation resistance of the windings can fall to the critical insulation resistance due to ambient and operational influences. The critical insulation resistance value for a winding temperature of 25 °C can be calculated by multiplying the rated voltage (kV) by the specific critical resistance value (0,5 MΩ / kV).

**Example:**

Critical resistance for  $U_N = 690$  V rated voltage:

$$690 \text{ V} \times 0,5 \text{ M}\Omega / \text{kV} = 0,345 \text{ M}\Omega$$

**NOTICE****Critical insulation resistance reached or fallen below**

If the critical insulation resistance is reached or fallen below, this can result in damage to the insulation or voltage flashovers.

- Contact your Siemens Service Center.
- If the measured value is close to the critical value, you must check the insulation resistance at suitably frequent intervals.

**See also**

SIEMENS Service Center (Page 115)

**7.2 Measures before start-up**** WARNING****Rotating parts**

Electrical machines contain dangerous rotating parts. Fatal or severe injuries and substantial material damage can occur if the required covers are removed or if the machines are not handled, operated, or maintained properly.

Before commissioning, attach the covers that prevent inadvertently touching active and rotating components.

**NOTICE****Damage caused by insufficient cooling**

Effective cooling is no longer possible if air guidance of the machine is not provided as intended. This can damage the machine.

Before commissioning, attach the covers in order to guarantee the required air guidance.

### Measures

Once the system has been correctly installed, you should check the following prior to commissioning:

- The machine has been assembled and aligned correctly.
- The machine has been connected so that it rotates in the direction specified.
- The operating conditions match the data specified on the rating plate.
- The bearings have been lubricated as appropriate for the version used. Rolling-contact bearing machines which have been in storage for more than 24 months have been relubricated.
- Any supplementary machine monitoring equipment has been connected correctly and is functioning as it should.
- For versions with bearing thermometers, the bearing temperatures must be checked during the machine's first period of operation. The warning and shutdown values are set on the monitoring device.
- Appropriately configured control and speed monitoring functions ensure that the machine cannot exceed the permissible speeds specified on the rating plate.
- The output elements have the correct settings for their type (e.g. alignment and balancing of couplings, belt forces in the case of a belt drive, tooth forces and tooth face clearance in the case of toothed-wheel power output, radial and axial clearance in the case of coupled shafts).
- The minimum insulation resistance and minimum clearance values have been adhered to.
- The grounding and equipotential bonding connections have been established correctly.
- All fixing screws, connection elements, and electrical connections have been tightened to the specified torques.
- Lifting eyes that were screwed in have been removed following installation or secured to prevent them becoming loose.
- The rotor can turn without coming into contact with the stator.
- All touch protection measures for both moving and live parts have been implemented.
- In cases where the shaft extension is not being used and is, therefore, exposed, it has been covered and the feather key has been secured to prevent it from being thrown out.
- If being used, the external fan is ready for operation and connected so that it rotates in the direction specified.
- The flow of cooling air is not obstructed.
- If a brake is being used, it is functioning correctly.
- The specified mechanical limit speed  $n_{\max}$  is adhered to.

If the design of the machine requires the converter to be assigned in a particular way, the relevant information will be provided on the rating plate or an additional label.

---

**Note**

It may be necessary to perform additional checks and tests in accordance with the specific situation on site.

---

## 7.3 Switching on

### Measures for start-up

After installation or inspections, the following measures are recommended for normal start-up of the machines:

- Start the machine without a load; to do this, close the motor starter protector and do not switch the machine off prematurely. You should limit how often you switch the machine off while it is starting up and still running at a slow speed, for checking the direction of rotation or the required dimensions, for example. Allow the machine to run to a standstill before switching it back on again.
- Check the mechanical operation for noises or vibrations at the bearings and bearing end shields.
- If the motor does not run smoothly and/or there are any abnormal noises, switch it off and determine the cause as it slows down.
- If mechanical operation improves immediately after the machine is switched off, then the cause is magnetic or electrical. If mechanical operation does not improve immediately after switching the machine off, then the cause is mechanical, such as an imbalance in the electrical machines or in the driven machine, inadequate alignment of the machine set, operation of the machine with the system resonating (system = machine + base frame + foundation, etc.).
- If there are no problems with the machine's mechanical operation, switch on any cooling devices that are being used and continue to monitor the machine for a while during no-load operation.

- If it runs perfectly, connect a load. Check that it runs smoothly, and read off and document the values for voltage, current and power. As far as possible, read off and document the corresponding values for the driven machine as well.

<b>NOTICE</b>
<b>Damage to the motor</b>
If you do not maintain the permissible vibration values, this can either damage or destroy the motor. In operation, maintain the permissible vibration values according to ISO 10816.

- Monitor and document the temperatures of the bearings, windings, etc. until the system reaches a steady state, in as much as this is possible with the available measuring instruments.

### Measures to take when commissioning explosion-proof machines



After installation or inspections, the following measures are recommended for normal start-up of the machines:

- Start the machine without a load; to do this, close the motor starter protector and do not switch the machine off prematurely.
- You should limit how often you switch the machine off while it is starting up and still running at a slow speed, for checking the direction of rotation or the required dimensions, for example.
- Allow machines to reach a standstill before switching them back on.




# Operation

## 8.1 Safety instructions


### 8.1.1 Safety instructions during operation

#### Switching on the machine with anti-condensation heating (optional)


 <b>CAUTION</b>
<p><b>Machine overheating</b></p> <p>Slight injury or material damage can occur if you do not observe the following: Switch off the (optional) anti-condensation heating before switching on.</p>

#### Machine operation



 <b>DANGER</b>
<p><b>Hazardous voltages</b></p> <p>Operating the machine on a line supply system with a non-grounded neutral point is only permitted over short time intervals that occur rarely, e.g. the time leading to a fault being eliminated (ground fault of a cable, EN / IEC 60034-1).</p>



 <b>WARNING</b>
<p><b>Rotating or live parts</b></p> <p>Rotating or live parts are dangerous. Death, serious injury, or material damage can result if the required covers are removed.</p> <ul style="list-style-type: none"> <li>• De-energize the machine and bring it into a no voltage condition before removing any covers.</li> <li>• Ensure that the following covers are closed in operation:             <ul style="list-style-type: none"> <li>– Covers that prevent coming into contact with active or rotating parts</li> <li>– Covers that are required for the correct air guidance, and therefore for effective cooling</li> <li>– Covers required to maintain the degree of protection of the machine.</li> </ul> </li> </ul>

 **WARNING**

**Risk of burning**

Electrical machines have hot surfaces. Fatal or severe injuries and substantial material damage can occur if the required covers are removed or if the machines are not handled, operated, or maintained properly.

Do not touch the machine in operation and wait until the machine has completely cooled down.

**NOTICE**

**Premature bearing failure**

The bearings can be damaged if the following is not observed.

Be sure to comply with the minimum radial load of 30% of the cylindrical roller bearings in accordance with catalog data.

 **WARNING**

**Faults during operation**

Changes with respect to normal operation indicate that there is an impaired function. This can cause faults which can result in eventual or immediate death, severe injury or material damage.

For instance, observe the following signs that could indicate a malfunction:

- Higher power drawn than usual
- Higher temperatures than usual
- Unusual noises
- Unusual smells
- Activation of monitoring equipment

Immediately contact the maintenance personnel if you identify any irregularities. If you are in doubt, immediately switch off the machine, being sure to observe the system-specific safety conditions.

**NOTICE**

**Risk of corrosion due to condensation**

When changing machines and/or ambient temperatures, air humidity can condense within the machines.

- If available, remove the screw plugs to drain the water depending on the ambient and operating conditions.
- Reinsert them afterwards.

If the motor is equipped with drain plugs, then the water can drain away automatically.


**⚠ CAUTION****Risk of injury when touching the fan**

There is a risk of injury at machines equipped with a fan cover for the textile industry, as the fan is not completely touch protected.

- Do not touch the rotating fan.
- Do not put your fingers into the larger air discharge openings.
- Manual intervention must be prevented on the customer's side by using suitable measures, e.g. appropriate housings or a protective grating.

## 8.1.2 Safety information for explosion-protected machines in operation

**⚠ WARNING****Explosion hazard**

 These explosion-protected machines are not suitable for hybrid explosive environments.

This can result in death, serious injury or material damage.

Use in atmospheres where there is a risk of explosion caused by both gas and dust simultaneously is absolutely prohibited.



Only install machines with type of protection flameproof enclosure "d", increased safety "e", and machines for Zone 2 in hazardous areas, according to the regulations laid down by the responsible supervisory authority. They are responsible for determining the hazard level of each area (division into zones). Layers of dust on machines for Zone 21 and Zone 22 must – under no circumstances – be higher than 5 mm.

- If there are no other specifications in the EC-type examination certificate or on the rating plate regarding operating mode and tolerance, electrical machines are designed for continuous duty and normal startup procedures that are performed infrequently and do not result in excessive temperature rise. Only use these machines for the operating mode specified on the rating plate.
- Measures for maintaining the temperature class:  
For S1 line supply operation, a function-tested, current-dependent protective device that monitors all three phase conductors provides sufficient protection for the machine. This protective device is set to the rated current and must switch off machines with 1.2x the rated current within 2 hours or less. Do not switch off for 1.05-fold or smaller rated current. Pole-changing machines require a separate switch for each number of poles. If an anti-condensation heating system is available, it may only be switched on when the machines are not in operation.  
For S2 to S9 line supply operation, machines with type of protection Flameproof Enclosure "d" must be equipped with at least three temperature sensors (one per phase), a temperature sensor in the gland plate and with a suitable electronic switchoff device with a temperature sensor.

### 8.1.3 Safety instructions for cleaning

#### Cleaning

To ensure problem-free machine cooling, the air ducts (ventilation grilles, channels, cooling fins, tubes) must be free of pollution.



**! WARNING**

**Explosion hazard**

It is forbidden to clean the machine in an explosive atmosphere. This can result in death, serious injury or material damage.

Surfaces can become statically charged and discharge to ignite potentially explosive atmospheres.

### 8.1.4 Machines with textile fan covers

In order to guarantee an essentially unobstructed flow of cooling air containing fluff, remains of materials or similar dirt, machines with a fan cover for textile applications have a larger air discharge cross-section between the edge of the cover and the cooling ribs of the machine frame.

These machines have a warning sticker on the fan cover.

## 8.2 Stoppages

#### Overview

If the machine remains out of service for an extended period of time (> 1 month), it should be commissioned regularly (around once a month) or, at the very least, the rotor should be turned. Please refer to the instructions in the section titled "Switching on" before recommissioning the machine. If a rotor locking device has been fitted to the machine, you must remove it before the rotor starts to turn.

**NOTICE**

**Restricted motor function**

If not used for longer periods of time, material damage or complete motor failure can occur.

If the motor is out of service for a period of more than 12 months, then environmental effects can damage the motor.

Apply suitable corrosion protection, preservation, packing and drying measures.

### **Switching on the anti-condensation heater**

If an anti-condensation heater is provided, switch it on during the machine stoppages.

### **Taking the machine out of service**

For details of measures that need to be implemented, please refer to Section Preparing for use (Page 27).

### **Lubricating before recommissioning**

<b>NOTICE</b>
<b>Dry running bearings</b>
Bearings can be damaged if they do not have sufficient grease.
Re-grease the bearings if they have been out of service for more than one year. The shaft must rotate so that the grease can be distributed in the bearings. Observe the data on the lubricant plate.
See also Chapter, Maintenance - bearing service life.

### 8.3 Fault tables

**Note**

Before removing any faults, please read the information in Chapter Safety information (Page 11).

**Note**

If you operate the motor with a converter, and an electrical fault occurs, then also observe the information in the converter operating instructions.

The tables below list general faults caused by mechanical and electrical influences.

Table 8- 1 Electrical influences

							Electrical fault characteristics	
↓							Machine will not start up	
	↓						Machine starts up reluctantly	
		↓					Rumbling noise during startup	
			↓				Rumbling noise during operation	
				↓			Overheating during no-load operation	
					↓		Overheating when under load	
						↓	Overheating of individual winding sections	
							<b>Possible causes of faults</b>	<b>Remedial measures<sup>1)</sup></b>
X	X		X		X		Overload	Reduce load
X							Interruption of a phase in the supply line	Check switches and supply lines
	X	X	X		X	X	Interruption of a phase in the supply line after switching on	Check switches and supply lines
X	X						Supply voltage too low, frequency too high	Check power supply conditions
					X		Supply voltage too high, frequency too low	Check power supply conditions
X	X	X	X			X	Stator winding incorrectly connected	Check winding connections
	X	X	X			X	Winding short circuit or phase short circuit in stator winding	Measure the winding resistances and insulation resistances, repair after consultation with manufacturer
					X		Incorrect direction of rotation of axial fan	Check connections

(1) As well as eliminating the cause of the fault (as described under "Remedial measures"), you must also rectify any damage the machine may have suffered.

Table 8- 2 Mechanical effects

				<b>Mechanical fault characteristics</b>	
	↓			Grinding noise	
		↓		Overheating	
			↓	Radial vibrations	
				Axial vibrations	
				<b>Possible causes of faults</b>	<b>Remedial measures<sup>1)</sup></b>
X				Rotating parts are grinding	Determine cause and adjust parts concerned
	X			Reduced air supply, fan possibly rotating in the wrong direction	Check airways, clean machine
		X		Rotor not balanced.	Check feather key declaration (H, F, N)
		X		Rotor out of true, shaft bent	Please consult the manufacturer.
		X	X	Poor alignment	Align machine set, check coupling. <sup>2)</sup>
		X		Coupled machine not balanced	Re-balance coupled machine
			X	Surges from coupled machine	Inspect coupled machine
		X	X	Imbalance originating from gearing	Adjust/repair gearing
		X	X	Resonance in the overall system (comprising machine and foundation)	Reinforce foundation following consultation
		X	X	Changes in foundation	Determine cause of changes; eliminate if necessary; realign machine


- 1) As well as eliminating the cause of the fault (as described under "Remedial measures"), you must also rectify any damage the machine may have suffered.  
2) Note any changes that take place while the temperature is rising.


## 8.4 Deactivating

Commission any devices provided for protection against condensation after switching off the machine.

## 8.5 Class

### 8.5.1 Zone 1 with type of protection Ex de IIC Gb (flameproof enclosure "d" for the machine and increased safety "e" for the terminal box)


<b>CE</b>	158		<b>II</b>	<b>2</b>	<b>G</b>	<b>Ex</b>	<b>d</b>	<b>e</b>	<b>IIC</b>	<b>T4</b>	<b>Gb</b>
①	②	③	④	⑤	⑥	⑦	⑧	⑨	⑩	⑪	⑫


<b>EAC</b>	<b>ГБ 05</b>		<b>1</b>	<b>Ex</b>	<b>d</b>	<b>e</b>	<b>IIC</b>	<b>T4</b>	<b>Gb</b>	<b>X</b>
①	②	③	⑬	⑦	⑧	⑨	⑩	⑪	⑫	⑭

- ① CE - or EAC marking
- ② Identification number or name of nominated testing agency
- ③ Code for prevention of explosions
- ④ Device group: II not for mining, but other hazardous zones
- ⑤ Device category: 2 for occasional danger and for use in Zone 1
- ⑥ Atmosphere: G for gas
- ⑦ Explosion protection: International
- ⑧ Type of protection: "d" Flameproof Enclosure of machine
- ⑨ Type of protection: "e" Increased Safety of terminal box
- ⑩ Explosion group: IIC for acetylene
- ⑪ Temperature class: T4 for maximum surface temperature of 135° C
- ⑫ Device protection level: Gb for a high level of protection in hazardous zones with explosive gas mixtures
- ⑬ Zone 1
- ⑭ "X" special conditions



### 8.5.2 Zone 1 with Ex e IIC Gb type of protection (increased safety "e")


<b>CE</b>	158		<b>II</b>	<b>2</b>	<b>G</b>	<b>Ex</b>	<b>e</b>	<b>IIC</b>	<b>T3</b>	<b>Gb</b>
①	②	③	④	⑤	⑥	⑦	⑧	⑨	⑩	⑪

<b>EAC</b>	<b>ГБ 05</b>		<b>1</b>	<b>Ex</b>	<b>e</b>	<b>IIC</b>	<b>T3</b>	<b>Gb</b>	<b>X</b>
①	②	③	⑫	⑦	⑧	⑨	⑩	⑪	⑬

- ① CE - or EAC marking
- ② Identification number or name of nominated testing agency
- ③ Code for prevention of explosions
- ④ Device group: II not for mining, but other hazardous zones
- ⑤ Device category: 2 for occasional danger
- ⑥ Atmosphere: G for gas
- ⑦ Explosion protection: International
- ⑧ Type of protection: "e" Increased Safety
- ⑨ Explosion group: IIC for acetylene
- ⑩ Temperature class: T3 for maximum surface temperature of 200° C
- ⑪ Device protection level: Gb for a high level of protection in hazardous zones with explosive gas mixtures
- ⑫ Zone 1
- ⑬ "X" special conditions


**8.5.3 Zone 1 with Ex e IIB Gb type of protection (increased safety "e")**


<b>CE</b>	158		<b>II</b>	<b>2</b>	<b>G</b>	<b>Ex</b>	<b>e</b>	<b>IIB</b>	<b>T3</b>	<b>Gb</b>
①	②	③	④	⑤	⑥	⑦	⑧	⑨	⑩	⑪

<b>EAC</b>	<b>ГБ 05</b>		<b>1</b>	<b>Ex</b>	<b>e</b>	<b>IIB</b>	<b>T3</b>	<b>Gb</b>	<b>X</b>
①	②	③	⑫	⑦	⑧	⑨	⑩	⑪	⑬

- ① CE - or EAC marking
- ② Identification number or name of nominated testing agency
- ③ Code for prevention of explosions
- ④ Device group: II not for mining, but other hazardous zones
- ⑤ Device category: 2 for occasional danger
- ⑥ Atmosphere: G for gas
- ⑦ Explosion protection: International
- ⑧ Type of protection: "e" Increased Safety
- ⑨ Explosion group: IIB for ethylene
- ⑩ Temperature Class: T3 for maximum surface temperature of 200° C
- ⑪ Device protection level: Gb for a high level of protection in hazardous zones with explosive gas mixtures
- ⑫ Zone 1
- ⑬ "X" special conditions


#### 8.5.4 Zone 2 with type of protection Ex nA IIC Gc, non sparking


<b>CE</b>		<b>II</b>	<b>3</b>	<b>G</b>	<b>Ex</b>	<b>nA</b>	<b>IIC</b>	<b>T3</b>	<b>Gc</b>
①	②	③	④	⑤	⑥	⑦	⑧	⑨	⑩

<b>EAC</b>	<b>ГБ 05</b>		<b>2</b>	<b>Ex</b>	<b>nA</b>	<b>IIC</b>	<b>T3</b>	<b>Gc</b>	<b>X</b>
①	⑪	②	⑫	⑥	⑦	⑧	⑨	⑩	⑬

- ① CE - or EAC marking
- ② Code for prevention of explosions
- ③ Device group: II not for mining, but other hazardous zones
- ④ Device category: 3 for infrequent, short-term danger
- ⑤ Atmosphere: G for gas
- ⑥ Explosion protection: International
- ⑦ Type of protection: "nA" for non-sparking
- ⑧ Explosion group: IIC for acetylene
- ⑨ Temperature Class: T3 for maximum surface temperature of 200° C
- ⑩ Device protection level: Gc for an extended level of protection in hazardous zones with explosive gas mixtures
- ⑪ Identification number or name of nominated testing agency
- ⑫ Zone 2
- ⑬ "X" special conditions

**8.5.5 Zone 2 with type of protection Ex nA IIB Gc, non sparking**

<b>CE</b>		<b>II</b>	<b>3</b>	<b>G</b>	<b>Ex</b>	<b>nA</b>	<b>IIB</b>	<b>T3</b>	<b>Gc</b>
①	②	③	④	⑤	⑥	⑦	⑧	⑨	⑩

<b>EAC</b>	<b>ГБ 05</b>		<b>2</b>	<b>Ex</b>	<b>nA</b>	<b>IIB</b>	<b>T3</b>	<b>Gc</b>	<b>X</b>
①	⑪	②	⑫	⑥	⑦	⑧	⑨	⑩	⑬

- ① CE - or EAC marking
- ② Code for prevention of explosions
- ③ Device group: II not for mining, but other hazardous zones
- ④ Device category: 3 for infrequent, short-term danger
- ⑤ Atmosphere: G for gas
- ⑥ Explosion protection: International
- ⑦ Type of protection: "nA" for non-sparking
- ⑧ Explosion group: IIB for ethylene
- ⑨ Temperature Class: T3 for maximum surface temperature of 200° C
- ⑩ Device protection level: Gc for an extended level of protection in hazardous zones with explosive gas mixtures
- ⑪ Identification number or name of nominated testing agency
- ⑫ Zone 2
- ⑬ "X" special conditions


### 8.5.6 Zone 21


<b>CE</b>	158	<b>Ex</b>	II	2	D	Ex	tb	IIIC	T125°C	Db
①	②	③	④	⑤	⑥	⑦	⑧	⑨	⑩	⑪

<b>EAC</b>	<b>ГБ 05</b>	<b>Ex</b>	Ex	tb	IIIC	T125°C	Db	X
①	②	③	⑦	⑧	⑨	⑩	⑪	⑫

- ① CE - or EAC marking
- ② Identification number or name of nominated testing agency
- ③ Code for prevention of explosions
- ④ Device group: II not for mining, but other hazardous zones
- ⑤ Device category: 2 for occasional danger
- ⑥ Atmosphere: D for dust
- ⑦ Explosion protection: International
- ⑧ Type of protection: "tb" for protection by enclosure
- ⑨ Explosion group: IIIC for conductive dust
- ⑩ Maximum surface temperature: T 125° C
- ⑪ Device protection level: Db for a high level of protection level in flammable dust atmospheres
- ⑫ "X" special conditions

8.5.7 Zone 22

<b>CE</b>		<b>II</b>	<b>3</b>	<b>D</b>	<b>Ex</b>	<b>tc</b>	<b>IIIB</b>	<b>T125°C</b>	<b>Dc</b>
①	②	③	④	⑤	⑥	⑦	⑧	⑨	⑩

<b>EAC</b>	<b>ГБ 05</b>		<b>Ex</b>	<b>tc</b>	<b>IIIB</b>	<b>T125°C</b>	<b>Dc</b>	<b>X</b>
①	⑪	②	⑥	⑦	⑧	⑨	⑩	⑫

- ① CE - or EAC marking
- ② Code for prevention of explosions
- ③ Device group: II not for mining, but other hazardous zones
- ④ Device category: 3 for infrequent, short-term danger
- ⑤ Atmosphere: D for dust
- ⑥ Explosion protection: International
- ⑦ Type of protection: "tc" for protection by enclosure
- ⑧ Explosion group: IIIB for non-conductive dust
- ⑨ Maximum surface temperature: T 125° C
- ⑩ Device protection level: Dc for an extended protection level in flammable dust atmospheres
- ⑪ Identification number or name of nominated testing agency
- ⑫ "X" special conditions

## 9.1 Preparation and notes



### **WARNING**

#### **Hazards when carrying out maintenance work**

You must observe the following safety instructions to prevent death, injury or material damage:

- Before starting work on the machines, make sure that the plant or system has been disconnected in a manner that is compliant with the appropriate specifications and regulations.
- In addition to the main circuits, make sure that supplementary and auxiliary circuits, particularly in heating devices, are also disconnected.
- Certain parts of the motor may reach temperatures above 50° C. Physical contact with the machine could result in burn injuries! Check the temperature of parts before touching them.
- When using compressed air for cleaning, make sure that appropriate methods of extraction systems are in place and that personal protective gear is worn (protective goggles, face mask and similar).
- If you are using chemical cleaning agents, observe the instructions and any warnings provided in the relevant safety data sheet. Chemical agents must be compatible with the machine's components, especially if these contain plastics.

#### **Note**

For operating conditions, which deviate from the conditions specified on the rating plate, the general maintenance intervals specified up until now can change.

#### **Preparation and notes for explosion-protected machines**



- Only have the machines repaired in authorized Siemens workshops!
- For machines intended for use in hazardous areas, only have modifications, repairs and overhaul work carried out by appropriately qualified personnel.  
It is imperative that you observe the regulations according to EN / IEC 60079-19 !
- When making changes or performing repair or overhauling work on machines intended for use with combustible dust, please observe the regulations laid down by EN / IEC 60079-17!

### 9.1.1 North American market

#### Machines for the North American market (optional)

When making changes or repairs, maintain the corresponding design standards! These machines are labeled on the rating plate with the following markings.

Table 9- 1 Markings for the North American market



Underwriters Laboratories



Canadian Standard Association



Canadian Standard Association Energy Efficiency Verification

### 9.1.2 Customs union Eurasia

#### Machines Eurasian market (optional)

When making changes or repairs, maintain the corresponding design standards! These machines are labeled on the rating plate with the following markings.



Customs union Eurasia  
Eurasian customs union



Explosion-protected



Table 9- 2 Applicable general regulations

Feature	Standard	EAC
Dimensioning and operating behavior	EN / IEC 60034-1	GOST R IEC 60034-1
Procedure for determining the losses and the efficiency of rotating electrical machines and inspections	EN / IEC 60034-2-1 EN / IEC 60034-2-2 EN / IEC 60034-2-3	GOST R IEC 60034-2-1 GOST R IEC 60034-2-2 GOST R IEC 60034-2-3
Degree of protection	EN / IEC 60034-5	GOST R IEC 60034-5
Cooling	EN / IEC 60034-6	GOST R IEC 60034-6
Type of construction	EN / IEC 60034-7	GOST R IEC 60034-7
Terminal designations and direction of rotation	EN / IEC 60034-8	GOST R IEC 60034-8
Noise emission	EN / IEC 60034-9	GOST R IEC 60034-9
Starting characteristics of rotating electrical machines	EN / IEC 60034-12	GOST R IEC 60034-12
Vibration severity grades	EN / IEC 60034-14	GOST R IEC 60034-14
Efficiency classification of three-phase squirrel-cage induction motors	EN / IEC 60034-30	GOST R IEC 60034-30
IEC standard voltages	IEC 60038	GOST R IEC 60038

Table 9- 3 Regulations applied for explosion-protected machines

Feature	Standard	EAC
Electrical equipment for hazardous gas atmospheres, Part 0: General requirements	EN / IEC 60079-0	GOST 30852 0 - 2002
Electrical equipment for hazardous gas atmospheres, Part 1: Flameproof enclosure "d"	EN / IEC 60079-1	GOST 30852 1 - 2002
Electrical equipment for hazardous gas atmospheres, Part 7: Increased safety "e"	EN / IEC 60079-7	GOST 30852 8 - 2002
Electrical equipment for hazardous gas atmospheres, Part 14: Electric installations for endangered atmospheres (except underground excavation)	EN / IEC 60079-14	GOST 30852 13 - 2002
Electrical equipment for hazardous gas atmospheres, Part 15: Type of protection "n"	EN / IEC 60079-15	GOST 30852 14 - 2002
Electrical equipment for hazardous gas atmospheres, Part 19: Repairs and overhauls	EN / IEC 60079-19	GOST 30852 18 - 2002
Potentially explosive atmosphere - Part 31: Device dust explosion protection by enclosure "t"	EN / IEC 60079-31	GOST R IEC 60079-31
Electrical equipment for use in the presence of combustible dust - Part 17: Inspection and maintenance of electrical systems in hazardous areas (except underground excavation)	EN / IEC 60079-17	GOST 30852 16 - 2002
Directive on the approximation of the laws of the Member States concerning equipment and protective systems intended for use in hazardous areas.	RL94/9/EC	TR CU

### 9.1.3 Touch up any damaged paintwork

If the paint is damaged, it must be repaired in order to protect the unit against corrosion.

---

**Note**


**Paint system**

Contact the Service Center before you repair any paint damage. They will provide you with more information about the correct paint system and methods of repairing paint damage.

---

### 9.1.4 Repainting



 <b>WARNING</b>
<b>Explosion danger caused by incorrect painting</b>
If the paint coat thickness exceeds the permissible thickness, then electrostatic discharge can occur and associated discharge. At this instant, if there is any explosive mixture that can be easily ignited, then an explosion can occur resulting in death, severe injury and material damage.
When repainting/touching up, avoid excessively thick paint coatings. You can determine the permissible coating thickness of the paint depending on the explosion group and the surface resistance of the paint.

You must comply with one of the following requirements when you repaint painted surfaces:

- Limit the total paint coating thickness in accordance with the explosion protection group:
  - IIA, IIB: Total paint coating thickness  $\leq 2$  mm
  - IIC: Total paint coating thickness  $\leq 0.330$  mm for motors of group II (gas)
- Limit the surface resistance of the paint used:
  - IIA, IIB, IIC, III: Surface resistance  $\leq 1$  G $\Omega$  for machines of groups II and III (gas and dust)
- Breakdown voltage  $\leq 4$  kV for explosion group III (dust only)
- An overall coating thickness of  $> 120$   $\mu\text{m}$  is inadmissible for processes which generate strong charges.

## 9.2 Inspection

### 9.2.1 General inspection specifications

#### Notes

---

**Note**

Pay particular attention to the relubrication intervals for rolling bearings that deviate from the inspection intervals.

---

**Note**

When servicing a three-phase machine, it is generally not necessary to dismantle it. The machine only has to be dismantled if the bearings are to be replaced.

---

### 9.2.2 Optional built-on accessories

See the list of additional operating instructions: Auto-Hotspot

#### See also

Further documents (Page 116)

### 9.2.3 Initial inspection

#### Inspection interval

The first inspection after installation or repair of the three-phase machine is, under normal circumstances, conducted after approx. 500 operating hours, but at the latest after 1/2 year.

#### Procedure

Check the following points while the motor is operational:

- Maintain the electrical parameters.
- Comply with the permissible bearing temperatures.
- The smooth running characteristics and noise of the three-phase machine must not deteriorate.

Check the following points while the motor is at a standstill:

- The motor foundation must have no indentations or cracks.

---

**Note**

Additional checks and tests may be required. Observe the associated supplementary instructions and special plant/system-specific conditions

---

**Note**

Rectify any impermissible deviations immediately.

---

## 9.2.4 Main inspection

### Inspection interval

Inspect the machine once a year.

### Procedure

Check the following points while the motor is operational:

- Maintain the electrical parameters.
- Comply with the permissible bearing temperatures.
- The smooth running characteristics and noise of the three-phase machine must not deteriorate.

Check the following points while the motor is at a standstill:

- The motor foundation must have no indentations or cracks.
- The three-phase machine must be aligned within the permissible tolerances.
- All of the mounting bolts for the mechanical and electrical connections must be securely tightened.
- The winding isolation resistances must be sufficiently high.
- Cables and insulating parts and components must be in a good condition and must not be discolored.

---


**Note**

Rectify any impermissible deviations immediately.

---

## 9.3 Maintenance

### 9.3.1 Maintenance intervals

 <b>CAUTION</b>
<p><b>Skin irritations and eye inflammations</b></p> <p>Many greases can cause skin irritations and eye inflammations. Follow all safety instructions of the manufacturer.</p>

The machines are equipped with permanently lubricated roller bearings. A regreasing device is optional.

Carry out careful and regular maintenance, inspections, and revisions to detect faults at an early stage and eliminate them before they can cause further damage.

Operating situations and characteristics can vary widely. For this reason, only general maintenance intervals can be specified here. Maintenance intervals should therefore be scheduled to suit the local conditions (dirt, starting frequency, load, etc.).

<b>NOTICE</b>
<p><b>Motor failure</b></p> <p>Material damage can occur if the motor develops faults or is overloaded. If faults occur, immediately carry out an inspection. An immediate inspection is especially necessary, if the three-phase motor is excessively stressed, either electrically or mechanically (e.g. overload or short-circuit).</p>

Measures, intervals

Measures after operating period intervals have elapsed:

Table 9- 4 Operating period intervals

Measures	Operating period intervals	Intervals
Initial inspection	After 500 operating hours	After 1/2 year at the latest
Relubrication (optional)	See the lubricant plate	
Clean	Depending on the degree of pollution	
Main inspection	Approximately every 16000 operating hours	After two years at the latest
Drain condensate	Depending on the climatic conditions	

### 9.3.2 Regreasing (optional)

For machines with regreasing system, relubrication intervals, grease quantity and grease grade are provided on the lubricant plate. Additional data can be taken from the main machine rating plate.

Grade of grease for standard motors (IP55) UNIREX N3 - ESSO).

---

#### Note

It is not permissible to mix different types of grease.

---

Prolonged storage periods reduce the useful lifetime of the bearing grease. Check the condition of the grease if the equipment has been in storage for more than 12 months. If the grease is found to have lost oil content or to be contaminated, the machine must be immediately relubricated before commissioning. For information on permanently-greased bearings, please refer to the section titled Storage (Page 96).

#### Procedure

To relubricate the roller bearings, proceed as follows:

1. Clean the grease nipples at the drive end and non-drive end.
2. Press in the type and quantity of grease specified (see rating/lubricant plate data).
  - Please observe the information on the rating and lubricant plates.
  - Regreasing should be carried out when the motor is running (max. 3600 rpm).

The bearing temperature rises sharply at first, then drops to the normal value again when the excess grease is displaced out of the bearing.

### 9.3.3 Cleaning

#### Cleaning the greasing channels and used grease chambers

The used grease collects outside each bearing in the used grease chamber of the outer bearing cap. When replacing bearings, remove the used grease.

---

#### Note

You have to separate the active parts of the bearings to replace the grease that is in the greasing channel.

---

### Cleaning the cooling air passages

Regularly clean the cooling air passages through which the ambient air flows, e.g. using dry compressed air.

---

**Note**

Never direct compressed air in the direction of the shaft outlet or machine openings.

---

In the case of machines with textile fan covers, regularly remove fluff balls, fabric remnants, and similar types of contamination (particularly at the air passage opening between the fan cover and cooling fins of the machine enclosure) to ensure that the cooling air can flow without obstruction.

---

**Note**

The frequency of the cleaning intervals depends on the local degree of contamination.

---

** WARNING****Damage to the motor**

Material damage can occur if you direct compressed air towards the shaft outlet or openings in the motor.  
Avoid directly pointing compressed air onto shaft sealing rings or labyrinth seals of the motor.

### See also

Safety instructions for cleaning (Page 76)

### 9.3.4 Drain condensate

If there are condensate drain holes present, these must be opened at regular intervals, depending on climatic conditions.

**NOTICE****Reduction of the degree of protection**

If condensation drain holes are not closed, then this can result in material damage to the motor.  
In order to maintain the degree of protection, after the condensation has been drained, all of the drain holes must be closed again.


## 9.4 Corrective maintenance

### 9.4.1 Instructions for repair

#### Qualified personnel

Only appropriately qualified persons should be deployed to commission and operate equipment. Qualified persons, as far as the safety instructions specified in this manual are concerned, are those who have the necessary authorization to commission, ground and identify/tag equipment, systems and circuits in accordance with the relevant safety standards.

#### Instructions relevant to safety

 <b>WARNING</b>
<b>High voltages</b> Electrical machines contain live parts. Fatal or severe injuries and substantial material damage can occur if the required covers are removed or if the machines are not handled, operated, or maintained properly. Before starting to work on the motor, bring it into a no voltage condition, and only open the covers of active parts once this has been done.

#### Note

Observe the information in Chapter Preparing for use.

#### See also

Preparing for use (Page 27)

### 9.4.2 Storage



Take the bearing used up to frame size 90 only for special versions, and generally for frame size 100 and higher from the rating plate.

#### Bearing lifetime

Prolonged storage periods reduce the useful lifetime of the bearing grease. In the case of permanently lubricated bearings, this leads to a shorter bearing lifetime. Bearing or grease replacement is recommended after a storage time of 12 months, for longer than four years, replace the bearings or grease.



## Replacing bearings

Recommended interval after which bearings are to be replaced under normal operating conditions:

Table 9- 5 Bearing replacement intervals

Ambient temperature	Principle of operation	Bearing replacement intervals
40° C	Horizontal coupling operation	40 000 h
40° C	With axial and radial forces	20 000 h

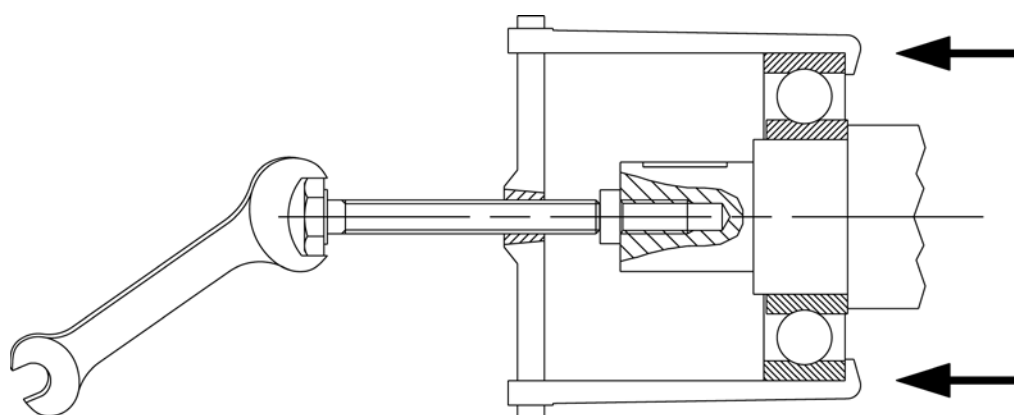
### Note

#### Special operating conditions

Examples of factors that can reduce operating hours are vertical machine installation, high vibrational and impact loads, frequent reversing, higher ambient temperature, higher speeds, etc.

- Do not reuse bearings that have been removed.
- Remove any polluted old grease from the bearing shield.
- Replace old grease with new grease.
- Replace the shaft seals when the bearings are replaced.
- Lightly grease the contact surfaces of the sealing lips!

### 9.4.2.1 Changing bearings



Replacing bearings

### 9.4.2.2 Replacing bearings in explosion-proof machines



- When changing the bearings, renew the sealing rings and only use original Siemens spare parts.
- When installing the sealing rings for the motor series 1LA., 1MA.06. to 20., 1MJ6., fill completely the space in the sealing ring and in the end shield hub with a suitable type of grease.

### 9.4.3 Dismantling

---

#### Note

Before commencing disassembly, you should mark how each of the fastening elements has been assigned, as well as how internal connections are arranged. This simplifies subsequent reassembly.

---

#### Fan

Take care not to damage the snapping mechanisms on fans that are equipped with these. To ensure this, the fans should be heated to a temperature of approximately 50 °C around the area of the hub. If any damage is caused, request new parts.

#### Fan cover



- Carefully lever the snap openings on the cover out of the snap-in lugs one after the other; do not apply the lever directly under the web (risk of breakage).
- Do not damage the snap mechanisms. If any damage is caused, request new parts.



#### Canopy; incremental encoder under the canopy



Loosen the fixing screws on the external surface of the protective cover.

Under no circumstances should the spacing bolts or the mounting bracket be disassembled or forcibly separated from each other or the cover. Forcibly removing or separating can destroy the distance bolts, the connecting elements of the mounting bracket or the fan cover.

#### 9.4.3.1 Bearing bushes

Protect the bearings against the ingress of dirt and moisture.

#### 9.4.3.2 Links

- Replace any corroded screws.
- Take care not to damage the insulation of live parts.
- Document the position of any rating and supplementary plates that have been removed.
- Avoid damaging the centering edges.

#### 9.4.4 Assembly

If possible, assemble the machine on an alignment plate. This ensures that the mounting feet surfaces are all on the same plane.

Avoid damaging the windings protruding out of the stator enclosure when fitting the end shield.

##### 9.4.4.1 Assembly

- Apply Fluid-D to the centering edge.
- Check the terminal box seals, and if required, replace these.
- Repair any damage to the paint, also to screws/bolts.
- Take the necessary measures to ensure compliance with the applicable degree of protection.
- Do not forget the foam rubber cover in the cable entry. Completely seal the holes, and ensure that cables do not come into contact with sharp edges.

#### See also

Terminal boxes, end shields, grounding conductors, sheet metal fan covers (Page 103)



For flameproof machines, apply just a small amount of acid-free, non-resinous grease to the centering edges (e.g. Renolit H 442 supplied by Fuchs). Do not use any sealing agents.

##### 9.4.4.2 Fitting the bearing cartridges

When fitting the bearing cartridges, observe the specified screw tightening torques.

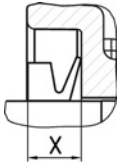
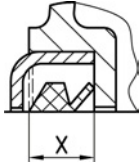
9.4.4.3 Fitting bearings

Sealing the bearings

Note the following details:

- Shaft sealing rings are used to seal machines at the rotor shaft. For V rings, comply with the assembly dimension.
- Use the specified bearings.
- Ensure that the bearing sealing disks are in the correct position.
- Insert the elements for bearing preloading at the correct end.
- Fixed bearings can have a locking ring or bearing cover.

Mounting dimension "x" of V rings

Frame size	X [mm]	
100 ... 112	6 ±0.8	
132 ... 225	7 ±1	
180 ... 225 (1LG, 1MA622.)	11 ±1	
225 (1LG, 1LE; 4 ... 8-pole)		
250 ... 315 (1LG, 1LE; 4 ... 8-pole)	13.5 ±1.2	
225 (1LG, 1LE; 2-pole)	11 ±1	
250 ... 315 (1LG, 1LE; 2-pole)	13.5 ±1.2	

9.4.4.4 Mounting fans

Fans

Take care not to damage the snapping mechanisms on fans that are equipped with these. To ensure this, the fans should be heated to a temperature of approximately 50 °C around the area of the hub.

If any damage is caused, request new parts.

#### 9.4.4.5 Mounting the fan cover

##### Fan cover



- When fitting the cover, do not overstretch it (risk of breakage).
- First engage two snap openings positioned next to one other, then carefully press the cover into position with the two openings situated opposite these using the snap-in lugs, and snap it into place.
- Latch all snap openings cleanly into the snap-in lugs.

#### 9.4.4.6 Canopy; mounting a rotary pulse encoder under the canopy

##### Canopy; incremental encoder under the canopy



Guide the fixing screws through the holes on the external surface of the canopy and tighten to a torque of 3 Nm  $\pm$ 10%.

#### 9.4.4.7 Reassembly: Miscellaneous information

##### Miscellaneous

- Number and position of rating plates and additional labels as in original condition
- If necessary, fix cables in place.
- Check tightening torques of all screws, as well as those of screws which have not been unscrewed.



The number on the EC-type examination certificate for machines with flameproof enclosure "d" type of protection is represented by an X, since the flameproof joints deviate from EN / IEC 60079-1, Table 2. Only perform repairs following consultation with the manufacturer and be sure to use original parts.


### 9.4.5 Screw lock washers

Nuts or bolts that are mounted together with locking, resilient and/or force-distributing elements (e.g., safety plates, spring-lock washers, etc.) must be refitted together with identical, fully functional elements.

Always replace locking elements.

### 9.4.6 Electrical connections - Terminal board connections

Table 9- 6 Tightening torques for electrical connections on the terminal board

	Thread Ø		M 3,5	M 4	M 5	M 6	M 8	M 10	M 12	M 16
	Nm	min	0,8	0,8	1,8	2,7	5,5	9	14	27
		Max.	1,2	1,2	2,5	4	8	13	20	40

### 9.4.7 Cable glands

**Note**

Avoid damaging the cable jacket.

Adapt the tightening torques to the cable jacket materials.

You should refer to the table in order to find the correct tightening torque for any metal and plastic cable glands that are to be mounted directly on the machine, as well as for any other screw-type connections (such as adapters).

Table 9- 7 Tightening torques for cable glands

	Metal ± 10% [Nm]	Plastic ± 10% [Nm]	Clamping range [mm]		O ring Cord dia. [mm]
			Standard -30 °C ... 100 °C	Ex -60 °C ... 105 °C	
			Ex -30 °C ... 90 °C		
M 12 x 1.5	8	1,5	3,0 ... 7,0	-	2
M 16 x 1.5	10	2	4,5 ... 10,0	6,0 ... 10,0	
M 20 x 1.5	12	4	7,0 ... 13,0	6,0 ... 12,0	
M 25 x 1.5			9,0 ... 17,0	10,0 ... 16,0	
M 32 x 1.5	18	6	11,0 ... 21,0	13,0 ... 20,0	
M 40 x 1.5			19,0 ... 28,0	20,0 ... 26,0	
M 50 x 1.5	20		26,0 ... 35,0	25,0 ... 31,0	
M 63 x 1.5			34,0 ... 45,0	-	



The cable glands must have an EC-type examination certificate and be certified for the respective hazardous zone.

- Any openings that are not being used must be sealed using using the appropriate certified plugs.
- Please observe the manufacturer's specifications when fitting cable glands.

#### 9.4.8 Terminal boxes, end shields, grounding conductors, sheet metal fan covers

If no other tightening torques are specified, then the values in the following table apply.

Table 9- 8 Tightening torques for screws on the terminal box, end shields, screw-type grounding conductor connections



	Thread Ø		M 4	M 5	M 6	M 8	M 10	M 12	M 16	M20
	Nm	min	2	3.5	6	16	28	46	110	225
		max	3	5	9	24	42	70	165	340



Table 9- 9 Tightening torques for self-tapping screws on the terminal box, end shields, screw-type grounding conductor connections, sheet metal fan covers

	Thread Ø		M 4	M 5	M 6
	Nm	min	4	7,5	12,5
		max	5	9,5	15,5

### 9.4.9 Optional add-on units

See the list of additional operating instructions: Appendix (Page 115)



Table 9- 10 Assigning standard brakes for 1LE1 machines

Frame size (BG)	Brake type	Size assignment of the brakes	Tightening torque of manual lifting lever Nm
80	2LM8 010-3NA10 <sup>1)</sup>	08	2.8
90	2LM8 020-4NA10 <sup>1)</sup>	10	4.8
100	2LM8 040-5NA10 <sup>1)</sup>	12	4.8
112	2LM8 060-6NA10 <sup>1)</sup>	14	12
132	2LM8 100-7NA10 <sup>1)</sup>	16	12
160	2LM8 260-8NA10 <sup>1)</sup>	20	23
180	2LM8 315-0NA10 <sup>1)</sup>	20	23
200	2LM8 400-0NA10 <sup>1)</sup>	25	40
225	2LM8 400-0NA10 <sup>1)</sup>	25	40
250	KFB 63 <sup>2)</sup>	63	40
280	KFB 100 <sup>2)</sup>	100	40
315	KFB 160 <sup>2)</sup>	160	40

1) INTORQ Corp.

2) PINTSCH BUBENZER Corp.



Tightening torque applied to the fastening screws used for attaching external fans to the housing, see Terminal boxes, end shields, grounding conductors, sheet metal fan covers (Page 54)



## Spare parts

### 10.1 Parts order

In addition to the exact part designation, please specify the machine type and the serial number in all orders for spare parts and repair parts. The part designation must be identical to the designation stated in the list of parts and specified together with the appropriate part number.

When spare and repair parts are ordered, the following details must be provided:

- Designation and part number
- Order number and serial number of the machine

#### **Spare parts information and database**

Using the Siemens order number and the associated serial number, you can download spare parts information from a database for almost all current motors → Spares On Web ([https://b2b-extern.automation.siemens.com/spares\\_on\\_web](https://b2b-extern.automation.siemens.com/spares_on_web))

### 10.2 Parts groups definition

The following parts groups are differentiated:

#### **Spare parts**

Spare parts are machine parts that can be ordered during the production time and for a further five years after discontinuation of production. These parts should be replaced only by authorized service or modification partners.

#### **Repair parts**

Repair parts are machine parts that can be supplied during the active production of the machine (until the product discontinuation).

Repair parts are parts used for the repair or modification of the current products. These parts should be replaced only by authorized service or modification partners.

#### **Standardized parts**

Standardized parts are machine parts obtained from free trade outlets in accordance with their necessary dimensions, materials and surface finish. A detailed list can be found in the "Standardized parts" section.

### Other parts

Other parts are small parts required to complete the exploded drawing. They cannot, however, be supplied as individual spare or repair parts. The delivery in assembly units (e.g. complete terminal box) is possible on request.

The following supply commitment apply to replacement machines and spare parts following delivery of the motor:

- For up to five years, in the event of total machine failure, Siemens will supply a comparable machine with regard to the mounting dimensions and functions.
- Spare parts will be available for up to five years.
- After the time period of up to five years, Siemens provides information about spare parts and will supply documents when required.
- Spare machine deliveries after the active production of the machine series are also identified as "Spare motor" on the nameplate. Spare parts are offered only on request for these machines.

### Ordering example

Table 10- 1 Ordering example

End shield, drive end	1.40 End shield
Machine type *	1LA7163-4AA60
ID no. *	E0705/1234567 01 001

\* corresponding to the rating plate



Table 10- 2 Ordering example

End shield, drive end	1.40 End shield
Machine type *	1LE1002-1DB43-4AA0
ID no. *	E0605/0496382 02 001

\* corresponding to the rating plate

Take the type and serial number from the rating plate and the machine documentation.

When replacing rolling-contact bearings, in addition to the bearing identification code, the replacement code for the bearing version is required. Both of these codes are specified on the rating plate and in the machine documentation. They are also shown on the installed bearings.

The graphical representations in this chapter show schematic diagrams of the basic versions. They are used for spare part definitions. The supplied version may differ in details from these representations.

## 10.3 Machine parts

Part	Description	Part	Description
<b>1.00</b>	<b>DE bearings</b>		<b>Terminal box, complete</b>
1.30	Bolt	5.30	Rubber stopper (1MA618.-20.)
1.31	Spring lock washer according to SN 60727	5.31	Terminal clamp (1MA618.-20.)
1.32	Bolt	5.32	Angle (1MA618.-20.)
1.33	Nut	5.33	Washer (1MA618.-20.)
1.40	End shield	5.36	Spring lock washer according to SN 60727
1.43	Shaft sealing ring	5.37	Spring lock washer according to SN 60727
1.44	Bearing cover	5.42	Terminal box housing, including seal
1.45	Bolt	5.43	Entry plate
1.46	Cover ring	5.44	Terminal box top side
1.47	O ring	5.45	Enclosure
1.48	Self-tapping screw	5.46	Bolt
1.49	Bolt	5.47	Bolt
1.50	Flanged nut	5.48	Spring lock washer according to SN 60727
1.56	Spacer washer	5.49	Self-tapping screw
1.58	Spring washer	5.51	Nut
1.60	Roller bearing	5.52	Cable gland
1.61	Spring band for end shield hub	5.53	Sealing plug
1.62	Sealing plug <b>1LG</b>	5.54	O ring
1.63	T plug <b>1LE GG 100..315</b>	5.55	Nut
1.64	DE bearing cover, inner	5.60	Connecting terminal plate screw
1.65	Grease nipple	5.61	Bolt
1.67	Outer bearing cover	5.62	Spring lock washer according to SN 60727
1.68	Grease slinger (optional)	5.63	Mounting rail
1.69	Compression spring	5.64	Spring washer
<b>3.00</b>	<b>Rotor, complete</b>	5.65	Bolt
3.02	Locking ring	5.68	O ring
3.38	Featherkey	5.69	Sealing plug
3.88	Featherkey for fan	5.70	Terminal clamp
<b>4.00</b>	<b>Stator, complete</b>	5.72	Contact bracket
4.04	Eyebolt	5.76	Terminal plate / contact bracket
4.05	Disk	5.78	Spring lock washer according to SN 60727
4.07	Housing foot	5.79	Bolt
4.08	Housing foot, left	5.80	Self-tapping screw <b>1LE + 1LE GG 100..315</b>
4.09	Housing foot, right	5.81	Self-tapping screw
4.10	Spring lock washer according to SN 60727	5.82	O ring
4.11	Bolt	5.83	Seal
4.12	Nut	5.84	Terminal box cover

Spare parts

10.3 Machine parts

Part	Description	Part	Description
4.14	Nut	5.85	Terminal box cover including seal (optional screw)
4.18	Rating plate	5.86	Protection mark
4.19	Self-tapping screw	5.87	Bolt
4.20	Cover	5.88	Spring lock washer according to SN 60727
4.30	Contact bracket	5.89	Bolt
4.31	Grounding bracket	5.90	The top side of the terminal box can be rotated 4 x 90 degrees, complete (for subsequent mounting)
4.35	Disk	5.91	Bolt
4.37	Terminal board	5.92	Terminal box cover
4.38	Spring lock washer according to SN 60727	5.93	Seal
4.39	Grounding screw (self-tapping screw)	5.94	Bolt
4.40	Disk	5.95	Terminal box top side
4.41	Grounding lug	5.96	Sealing plug
<b>5.00</b>	<b>Terminal box, complete</b>	5.97	Nut
5.02	spacer	5.98	Metal-sheet nut
5.03	Seal	5.99	Adapter plate
5.04	Seal	<b>6.00</b>	<b>NDE bearings</b>
5.06	Mounting rail	6.02	Locking ring
5.08	Spacer sleeve	6.03	Bearing cover NDE, inner
5.09	Bolt	6.10	Roller bearing
5.10	Complete terminal board	6.11	Spring band for end shield hub
5.11	Terminal block	6.20	End shield
5.12	Ex d terminal box (1MJ6) (star point connection)	6.23	Shaft sealing ring
5.13	Link rail	6.24	Bearing cover NDE, outer
5.14	Terminal box underside	6.25	Lubrication sleeve
5.15	Plug	6.26	Cover
5.16	Spring lock washer according to SN 60727	6.27	Outer bearing cover
5.17	Bolt	6.28	Bolt
5.18	Spring lock washer according to SN 60727	6.29	Self-tapping screw
5.19	Self-tapping screw	6.30	Bearing cover NDE, inner
5.20	Cable entry, complete	6.31	Nut
5.21	Screw (drilled)	6.45	Bolt
5.22	Connection terminal, complete	6.64	Nut
5.23	Cable entry, complete	6.65	Grease nipple
5.24	Bolt	6.67	Rubber bush
5.25	Combination screws M3.5	6.72	Grease slinger
5.26	Set: Jumper plug Y, jumper plug Δ	<b>7.00</b>	<b>Complete ventilation</b>
5.27	Clamp	7.04	Fan
5.28	High saddle terminal	7.12	Locking ring
5.29	Lower saddle terminal	7.19	Bolt
		7.40	Fan cover




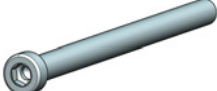





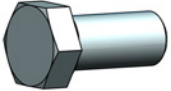
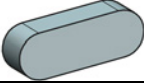
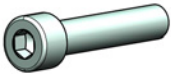


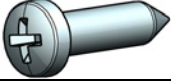

---

Part	Description	Part	Description
		7.41	bracket
		7.47	Sleeve
		7.48	Spring lock washer according to SN 60727
		7.49	Bolt

Tools for mounting and withdrawing roller bearings; fans and output transmission elements cannot be supplied.

## 10.4 Standardized parts

Table 10- 3 Purchase commercially available standard parts according to the dimensions, materials and surface.

No	Standard	Picture	No	Standard	Picture
3.02 6.02 7.12	DIN 471		1.30 1.31 1.32 1.45 1.49 4.11 4.19 5.09 5.17 5.19 5.24 5.47	DIN 939	
	DIN 472			DIN 6912	
4.04	DIN 580		5.46 5.49 5.60 5.61 5.65 5.79 5.87 5.89 5.91 5.94 6.29 6.45 7.49	DIN 7964	
	DIN 582			EN ISO 4014	
1.60 6.10	DIN 625		EN ISO 4017		
3.38	DIN 6885		EN ISO 4762		
1.33 1.50 4.12 4.14 5.55 6.30	EN ISO 4032		EN ISO 7045		
			EN ISO 7049		
			4.05 7.48	EN ISO 7089 EN ISO 7090	



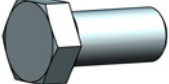

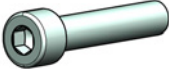
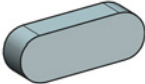

**Note**

**1MJ spare parts**

Use screws with property class  $\geq 8.8$  and nuts with property class  $\geq 8$ .



Table 10- 4 Purchase commercially available standard parts according to the dimensions, materials and surface.

No	Standard	Picture	No	Standard	Picture
6.02	DIN 472 (FS 160)		1.49 (frame size 132/160)	EN ISO 4014	
				EN ISO 4017	
4.04	DIN 580		4.11 6.29 (frame size 132/160)	EN ISO 4762	
3.38	DIN 6885		4.05	EN ISO 7089 EN ISO 7090 Purchase commercially available standard parts according to the dimensions, materials and surface.	





## Disposal

### 11.1 Introduction

Protecting the environment and preserving its resources are corporate goals of the highest priority for us. Our worldwide environmental management system to ISO 14001 ensures compliance with legislation and sets high standards in this regard. Environmentally friendly design, technical safety and health protection are always firm goals even at the product development stage.

Recommendations for the environmentally friendly disposal of the machine and its components are given in the following section. Be sure to comply with local disposal regulations.

### 11.2 Preparing for disassembly

Disassembly of the machine must be carried out and/or supervised by qualified personnel with appropriate expert knowledge.

1. Contact a certified waste disposal organization in your vicinity. Clarify what is expected in terms of the quality of dismantling the machine and provision of the components.
2. Follow the five safety rules (Page 11).
3. Disconnect all electrical connections and remove all cables.
4. Remove all liquids such as oil and cooling liquids. Collect the liquids separately and dispose of them in a professional manner.
5. Detach the machine fixings.
6. Transport the machine to a suitable location for disassembly.

#### See also

Corrective maintenance (Page 96)

### 11.3 Dismantling the machine

Dismantle the machine using the general procedures commonly used in mechanical engineering.

 **WARNING**

**Machine parts can fall**

The machine is made up of heavy parts. These parts are liable to fall during dismantling. This can result in death, serious injury or material damage.

Before you release any machine parts, secure them so that they cannot fall.

## 11.4 Disposal of components

### Components

The machines consist mainly of steel and various proportions of copper and aluminum. Metals are generally considered to be unlimitedly recyclable.

Sort the components for recycling according to whether they are:

- Iron and steel
- Aluminum
- Non-ferrous metal, e.g. windings

The winding insulation is incinerated during copper recycling.

- Insulating materials
- Cables and wires
- Electronic waste

### Process materials and chemicals

Sort the process materials and chemicals for recycling according to whether they are for example:

- Oil
- Grease
- Cleaning substances and solvents
- Paint residues
- Anti-corrosion agent
- Coolant additives such as inhibitors, antifreeze or biocides

Dispose of the separated components according to local regulations or via a specialist disposal company. The same applies for cloths and cleaning substances which have been used while working on the machine.

### Packaging material

- If necessary, contact a suitable specialist disposal company.
- Wooden packaging for sea transport consists of impregnated wood. Observe the local regulations.
- The foil used for water-proof packaging is an aluminum composite foil. It can be recycled thermally. Dirty foil must be disposed of via waste incineration.

## Appendix

### A.1 SIEMENS Service Center

Details regarding the design of this electrical machine and the permissible operating conditions are described in these instructions.

#### On-site service calls and spare parts

If you wish to request on-site service calls or order spare parts, please contact your local Siemens sales office. This office will contact the responsible service center on your behalf. You can find your local contact partner here.

#### Technical queries or additional information

If you have any technical queries or you require additional information, please contact the Siemens Service Center.

Please have the following machine data ready:

- Machine type
- Serial number

You can find this data on the rating plate of the machine.

#### Service numbers

Table A- 1 Siemens Service Center contact details

Time zone	Telephone	Fax	Internet
Europe / Africa	+49 911 895 7222	+49 911 895 7223	<a href="http://www.siemens.com/automation/support-request">http://www.siemens.com/automation/support-request</a> ( <a href="http://www.siemens.de/automation/support-request">http://www.siemens.de/automation/support-request</a> )
Americas	+1 423 262 5710	+1 423 262 2231	<a href="mailto:techsupport.sea@siemens.com">mailto:techsupport.sea@siemens.com</a>
Asia / Pacific	+86 10 6475 7575	+86 10 6474 7474	<a href="mailto:support.asia.automation@siemens.com">mailto:support.asia.automation@siemens.com</a>

### A.2 Languages of operating instructions available in the Internet

#### Additional languages in the Internet

You can find the operating instructions in other languages on the Internet page:  
<http://www.siemens.com/motors> (<http://www.siemens.com/motors>)

If you require additional language versions, please contact the Siemens Service Center.

## A.3 Further documents

These operating instructions can also be obtained at the following Internet site:

<http://www.siemens.com/motors>

### General Documentation

1.517.30777.30.000	1XP8001 encoder
5 610 00000 02 000	Operating_Instructions_Simotics GP, SD, DP, XP
5 610 00000 02 001	Operating_Instructions_Compact_Simotics GP, SD, DP
5 610 00000 02 002	Operating_Instructions_Compact_Simotics XP
5 610 00002 09 000	Incremental encoder 1XP8012-1x
5 610 00002 09 001	Incremental encoder 1XP8012-2x
5 610 70000 02 015	External fan
5 610 70000 10 020	Spring-loaded brake

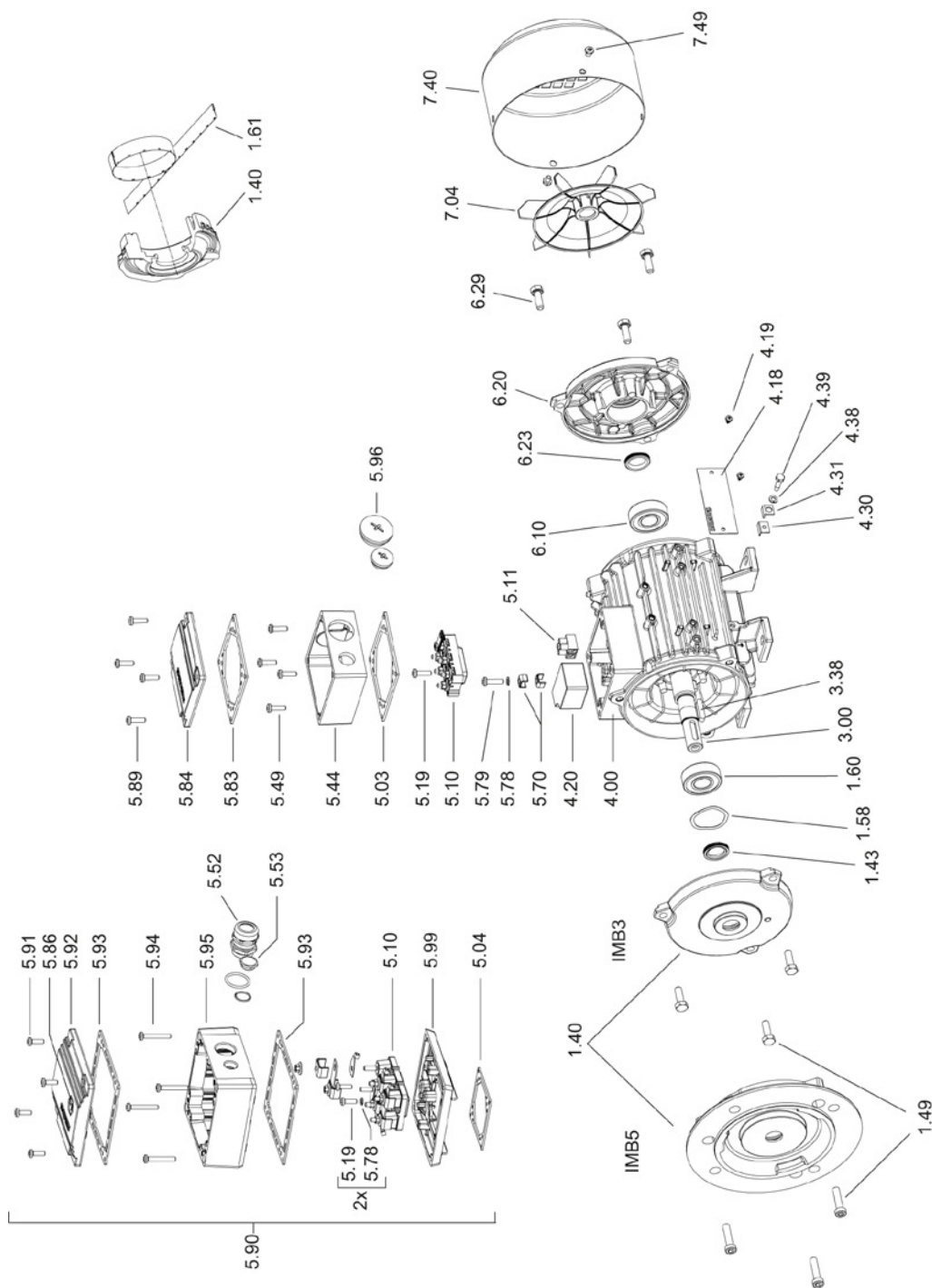
### See also

Optional built-on accessories (Page 91)

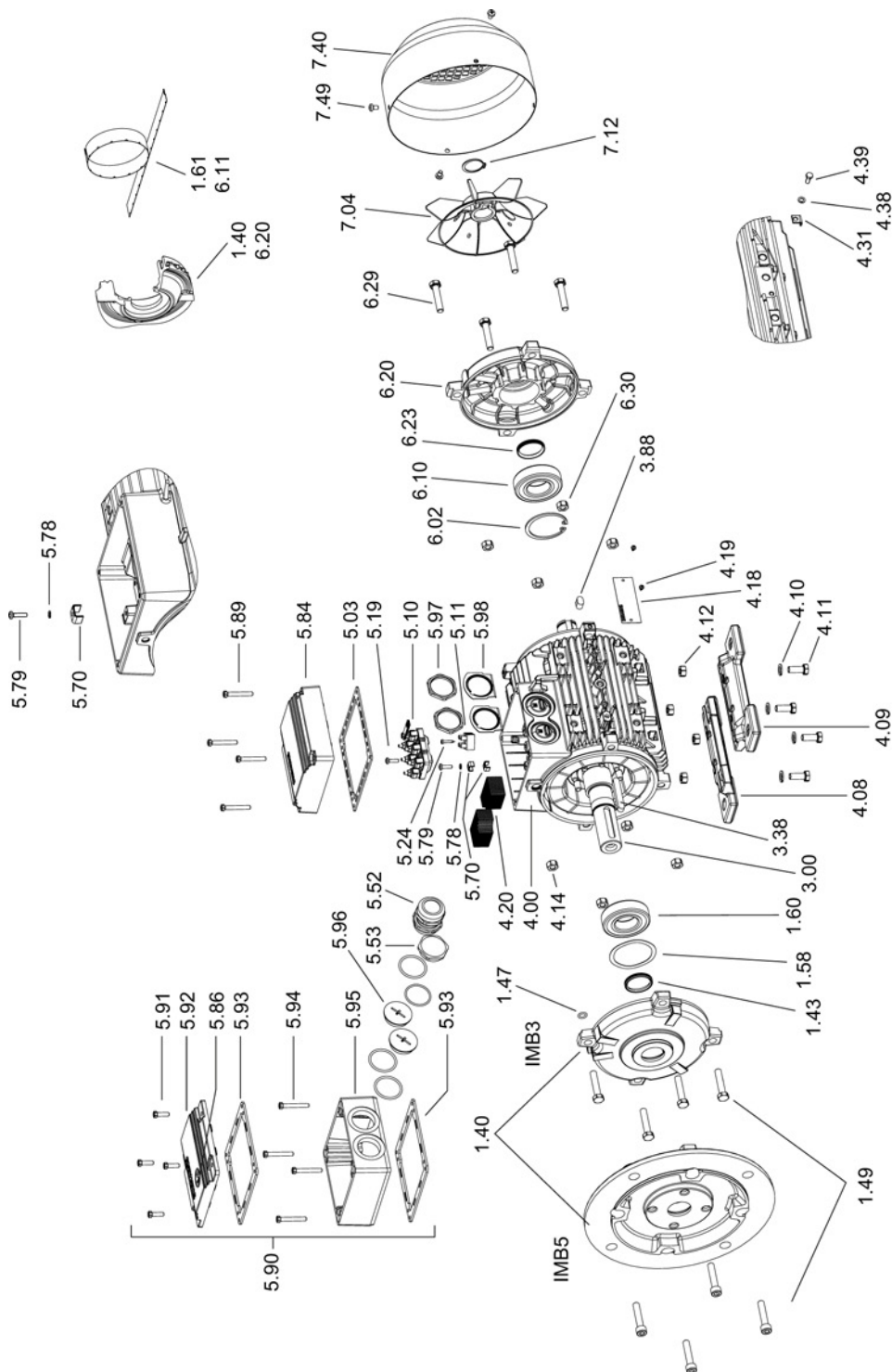
## Technical data and drawings

### B.1 Exploded drawings

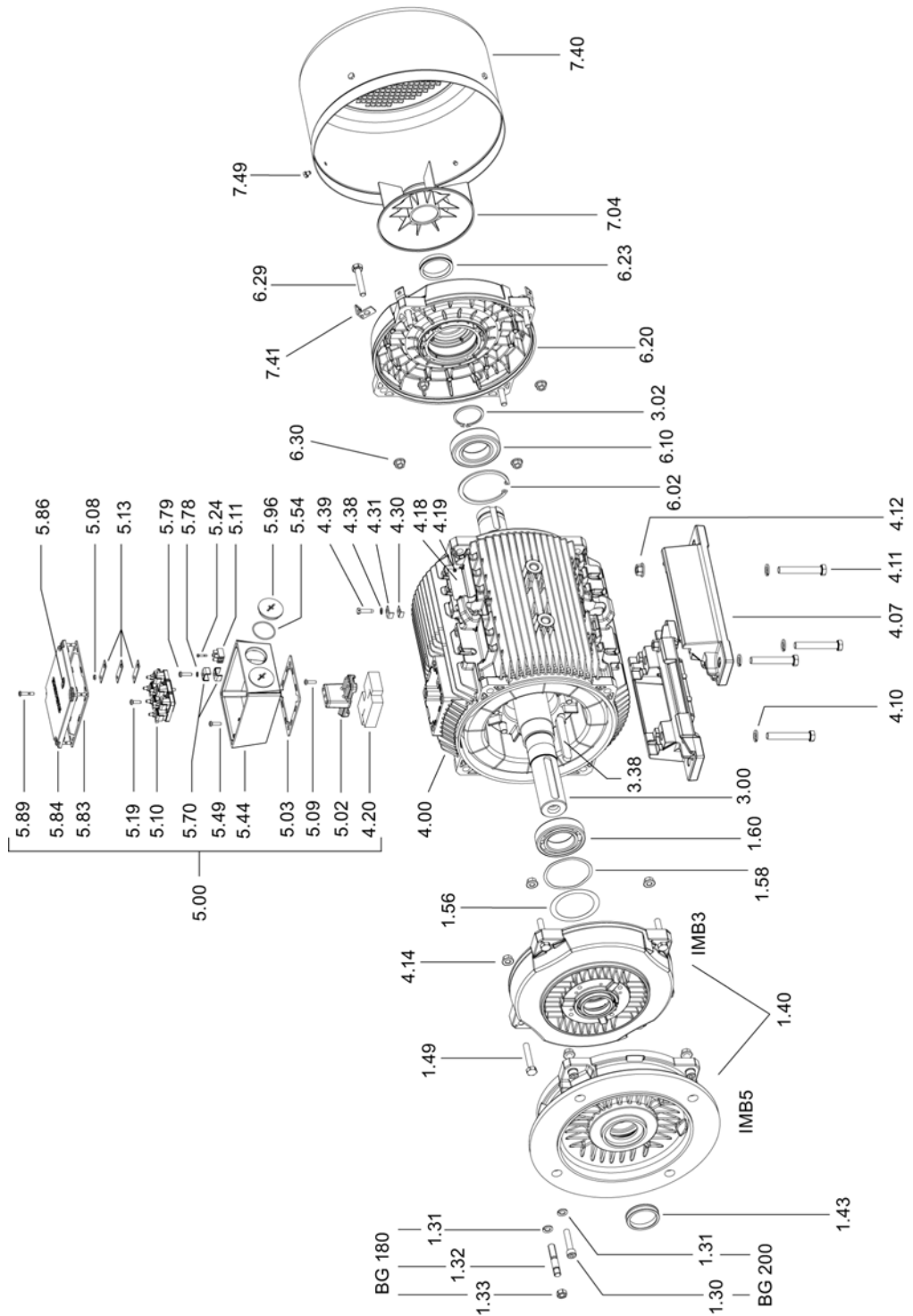
#### B.1.1 1LA,1LP,1MA,1MF,1PP6/7/9 FS 56 ... 90L



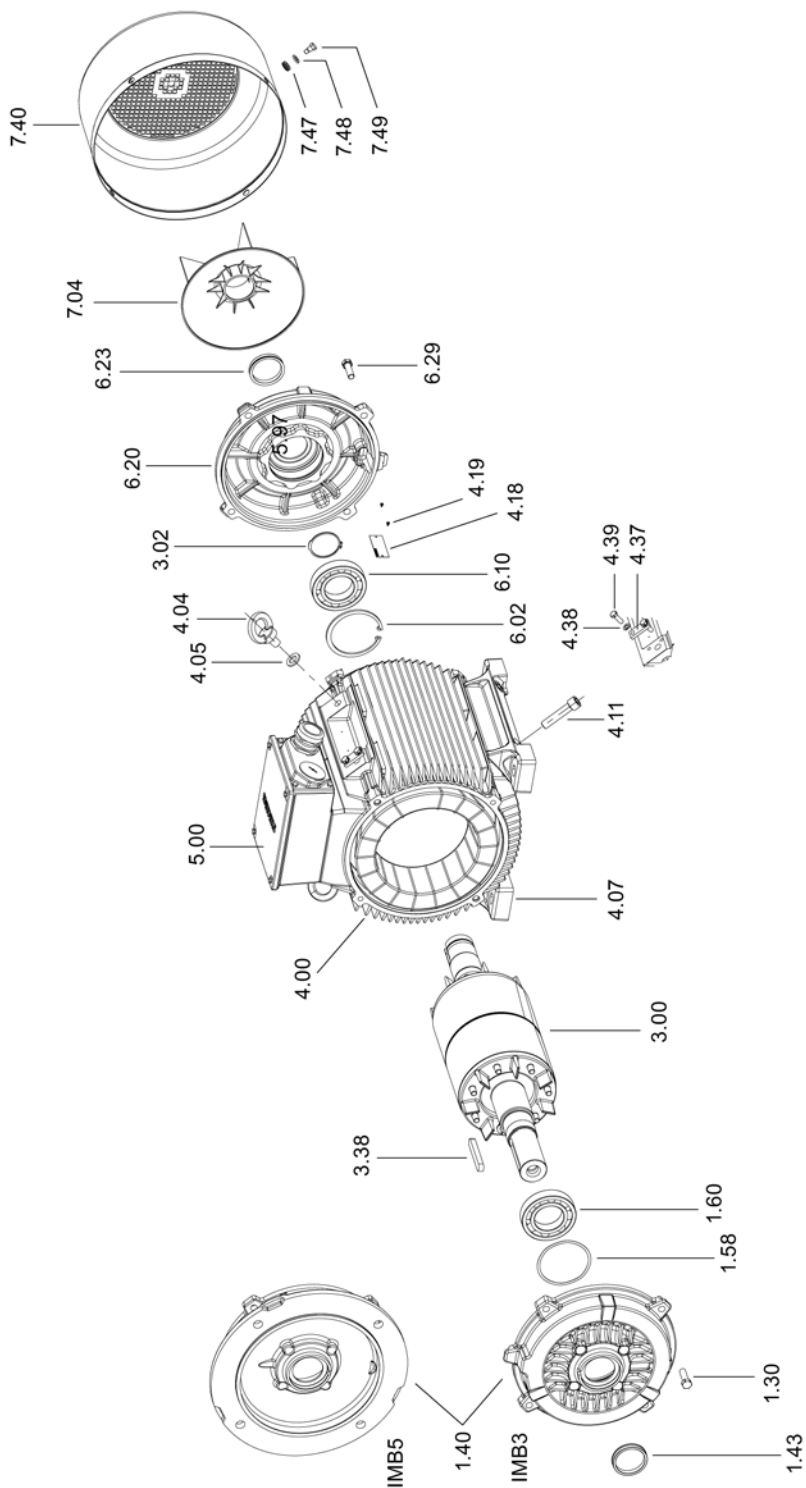
B.1.2 1LA,1LP,1MA,1MF,1PP6/7/9 FS 100 ... 160



B.1.3 1LA5180 ... 225

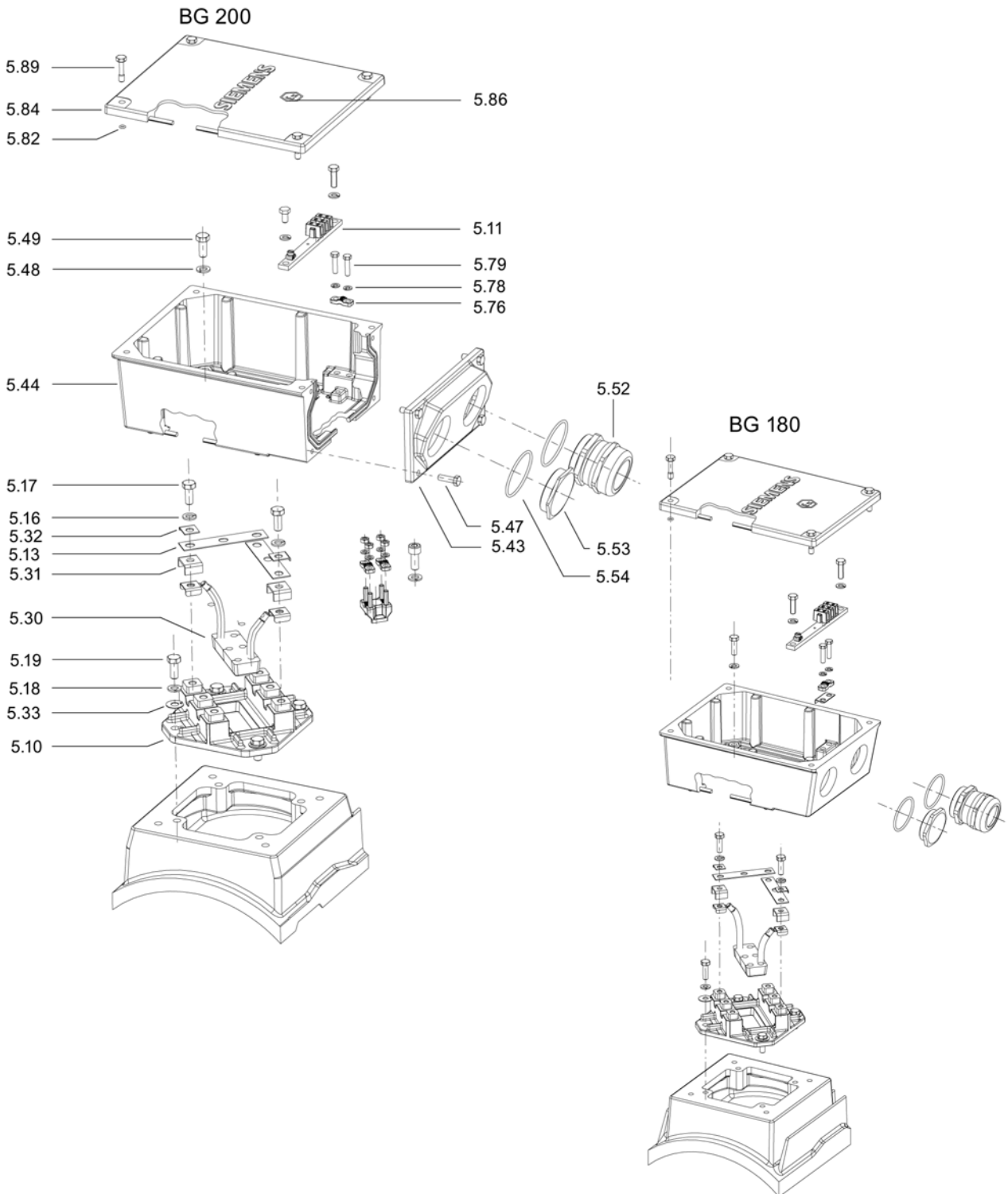


B.1.4 1MA6180 ... 200

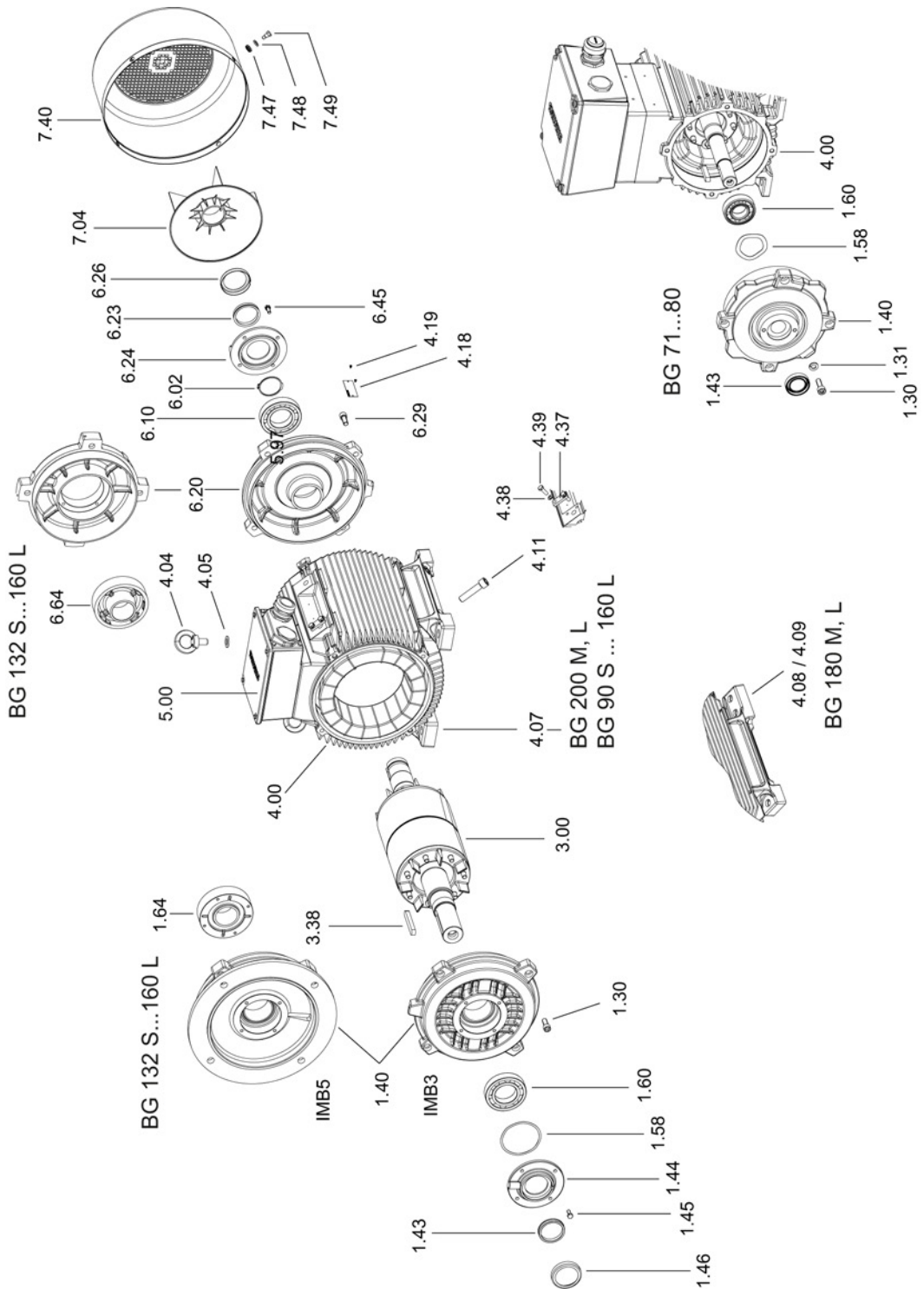




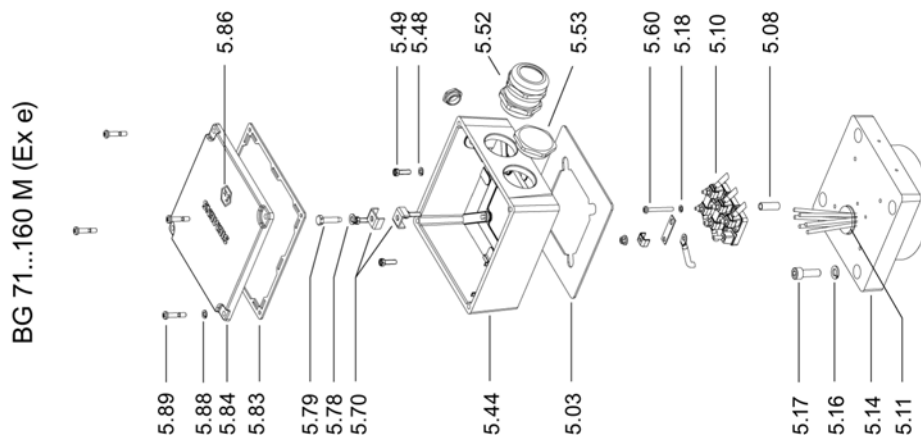
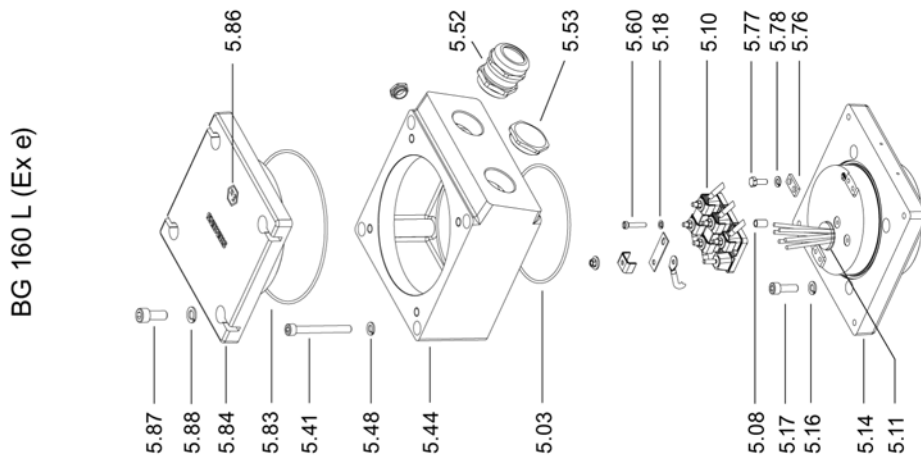
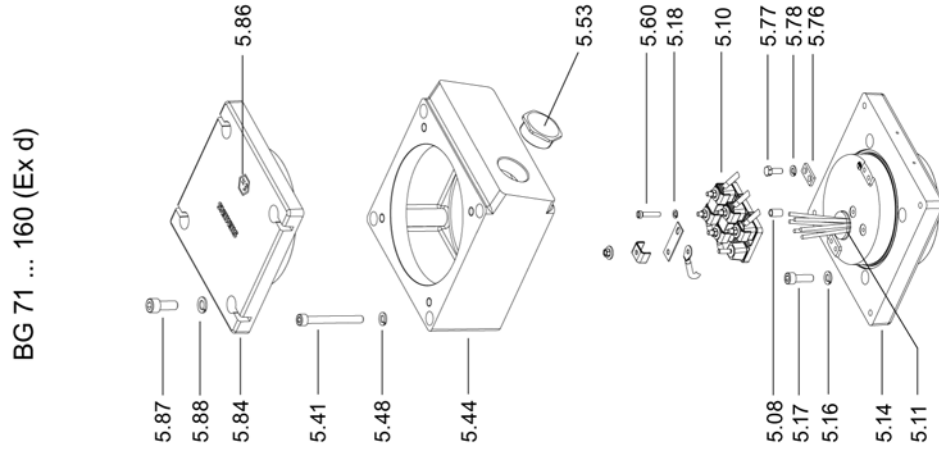
**B.1.5 Terminal boxes 1MA6180 ... 200**



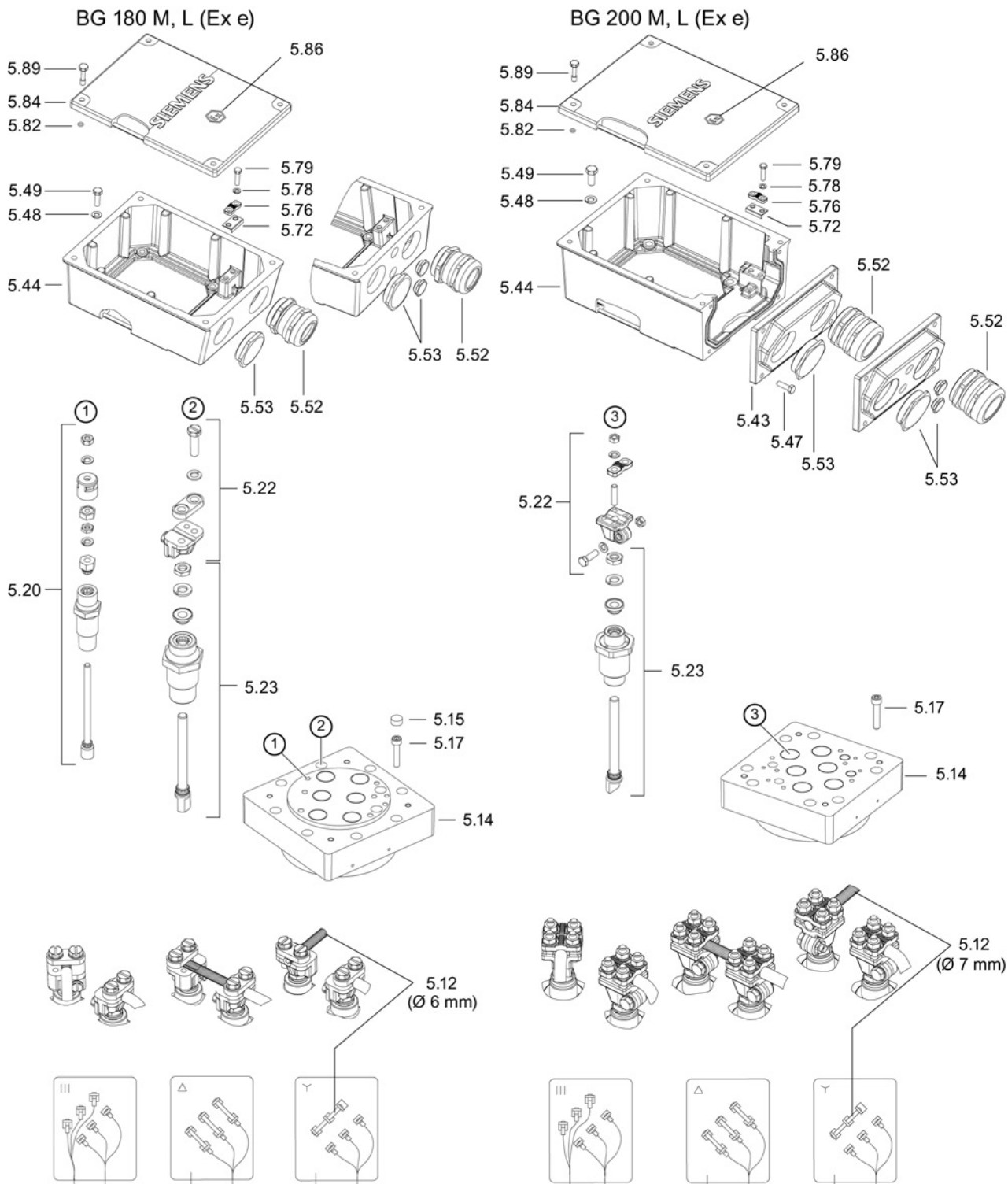
B.1.6 1MJ6070 ... 200



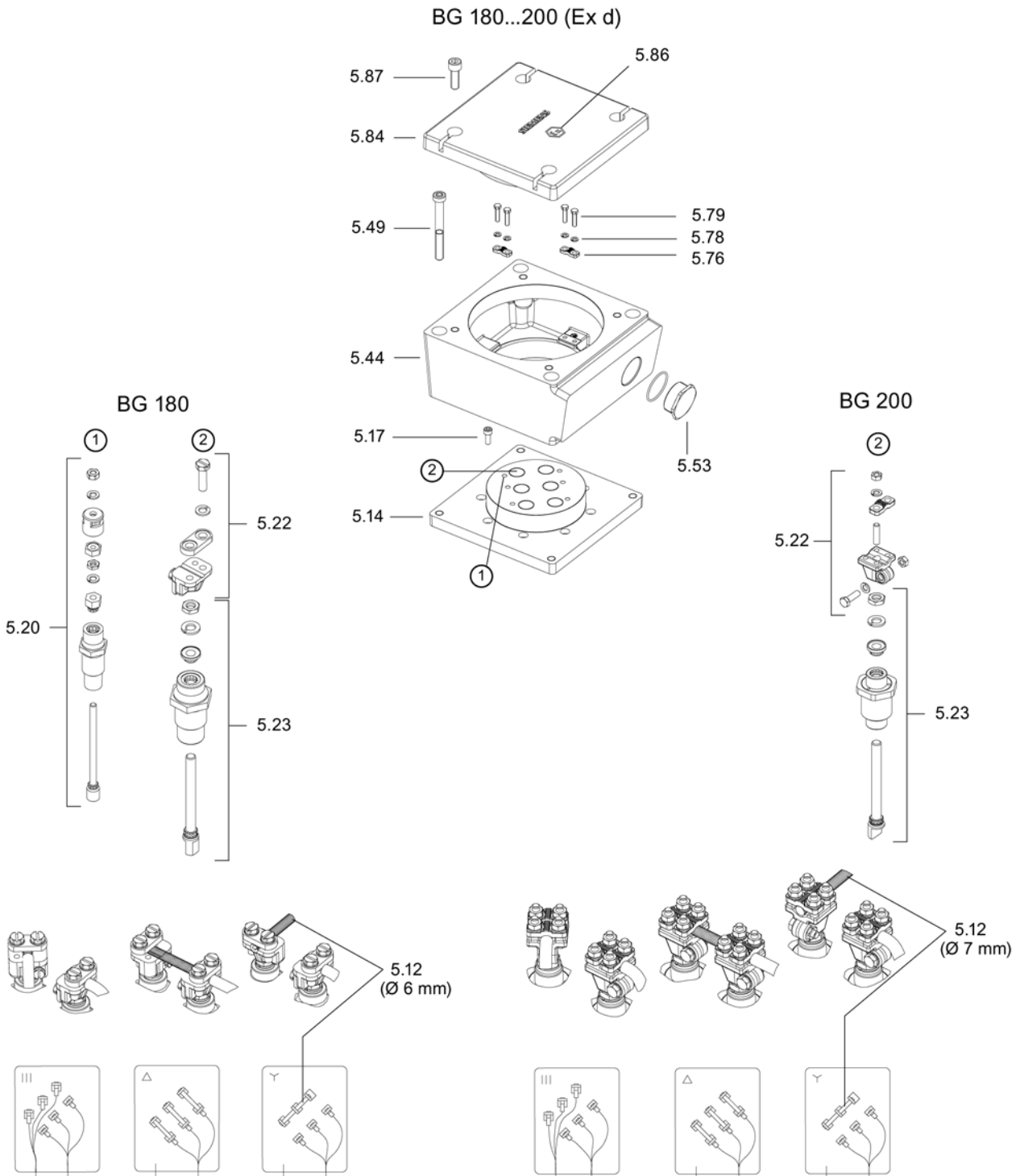
B.1.7 Terminal boxes 1MJ6070 ... 160



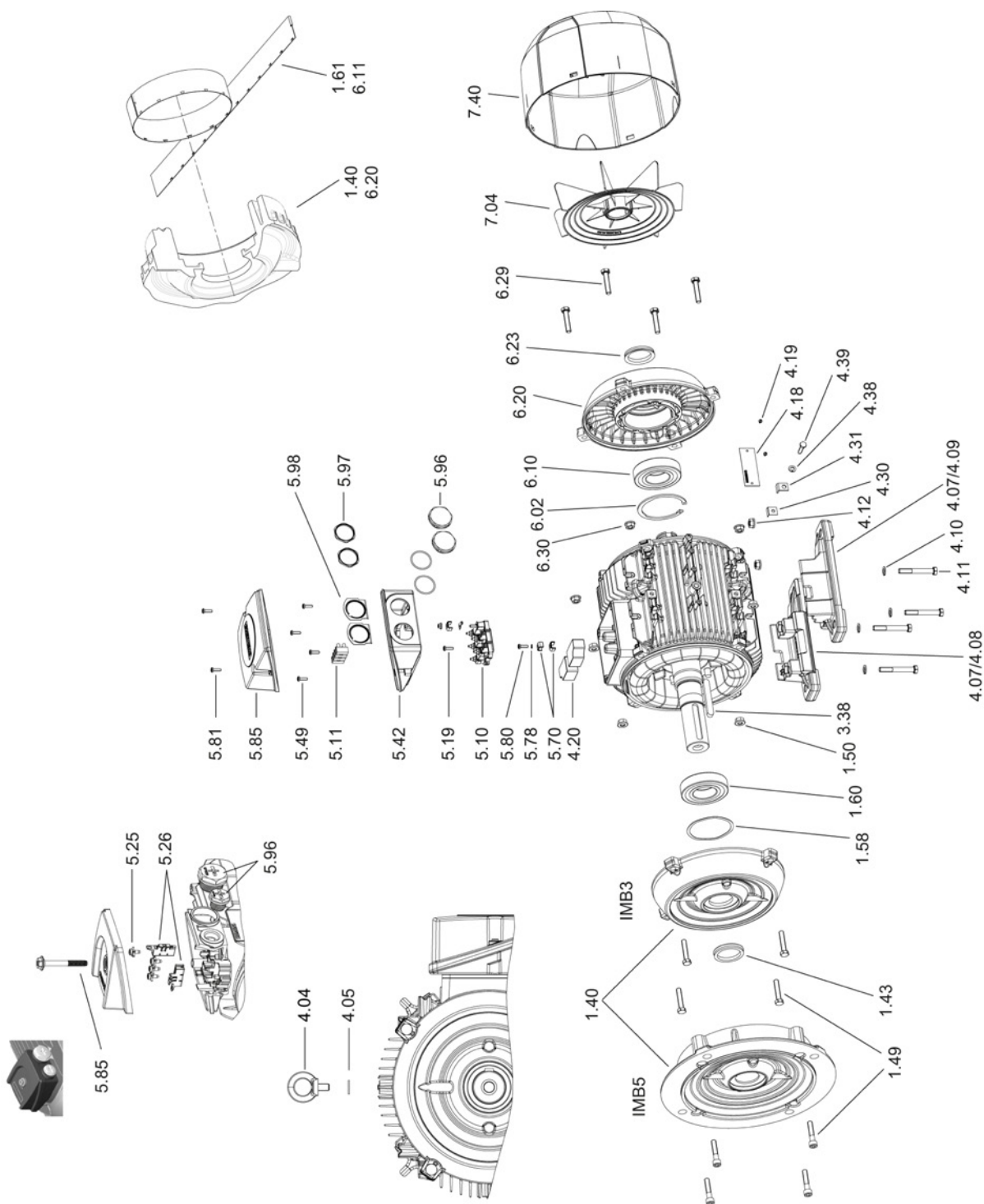
**B.1.8 Terminal boxes 1MJ6180 ... 200 (Ex e)**



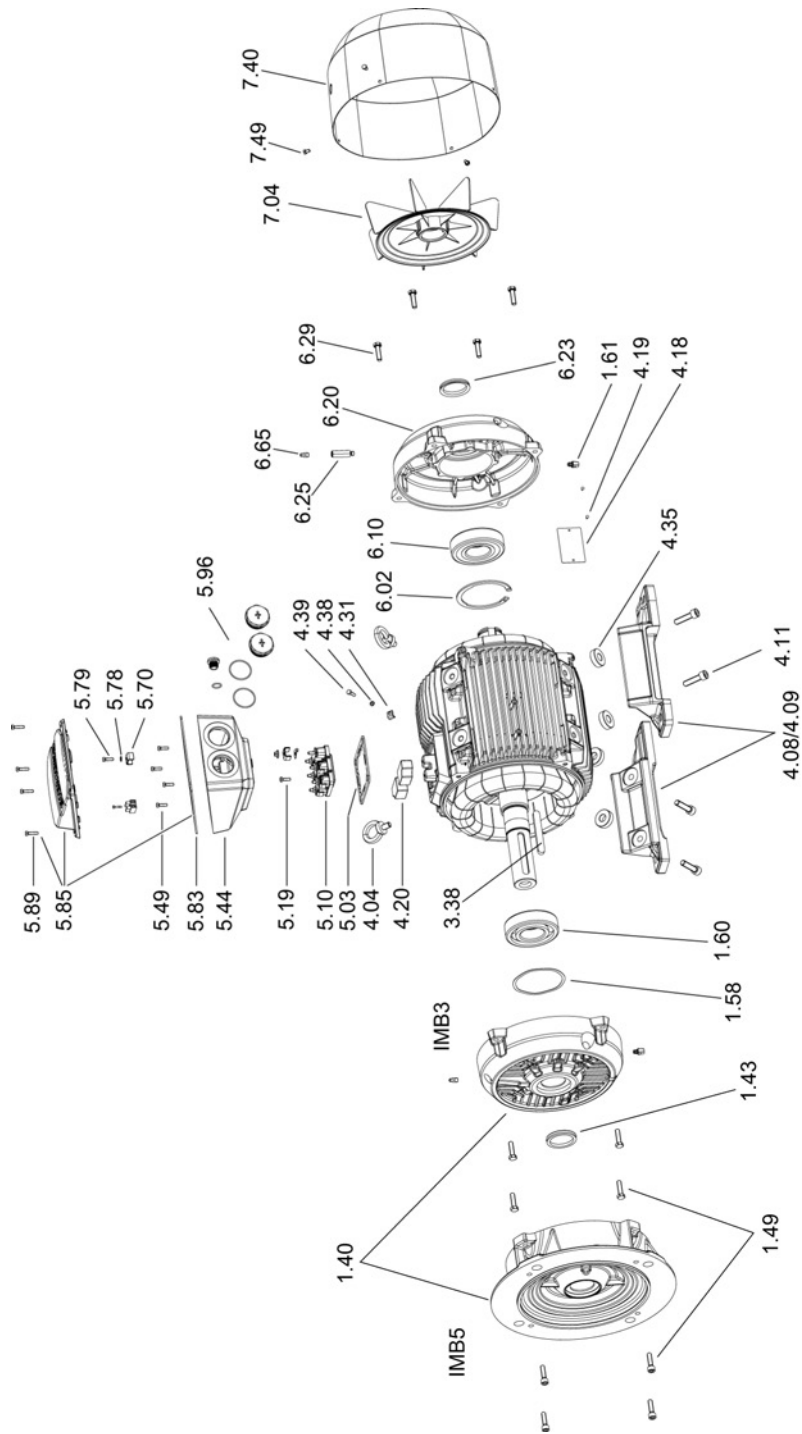
B.1.9 Terminal boxes 1MJ6180 ... 200 (Ex d)



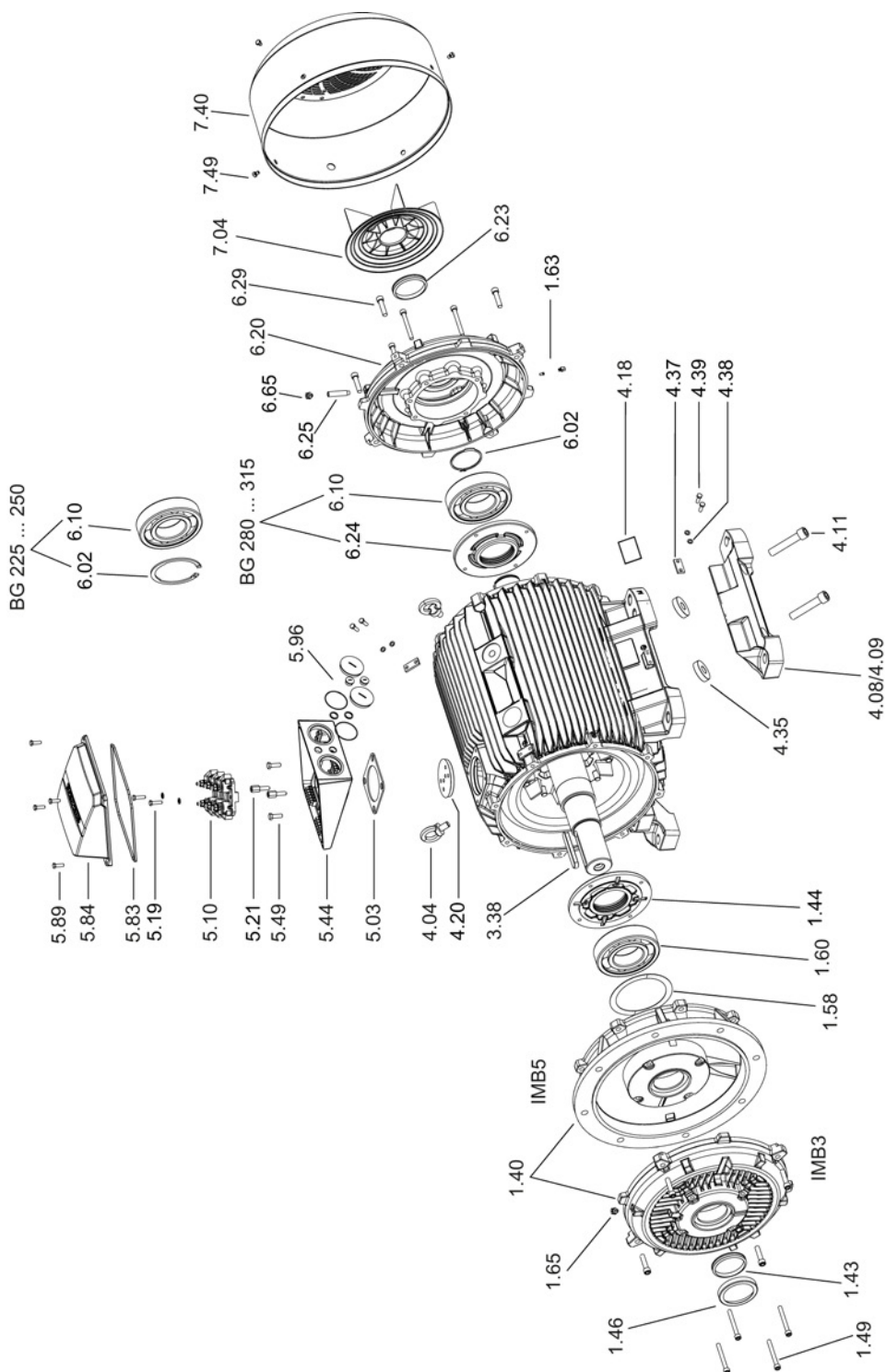
B.1.10 1LE1/ 1MB1 BG 80 ... 160 aluminum



B.1.11 1LE1 / 1MB1 BG 100 ... 200 cast iron

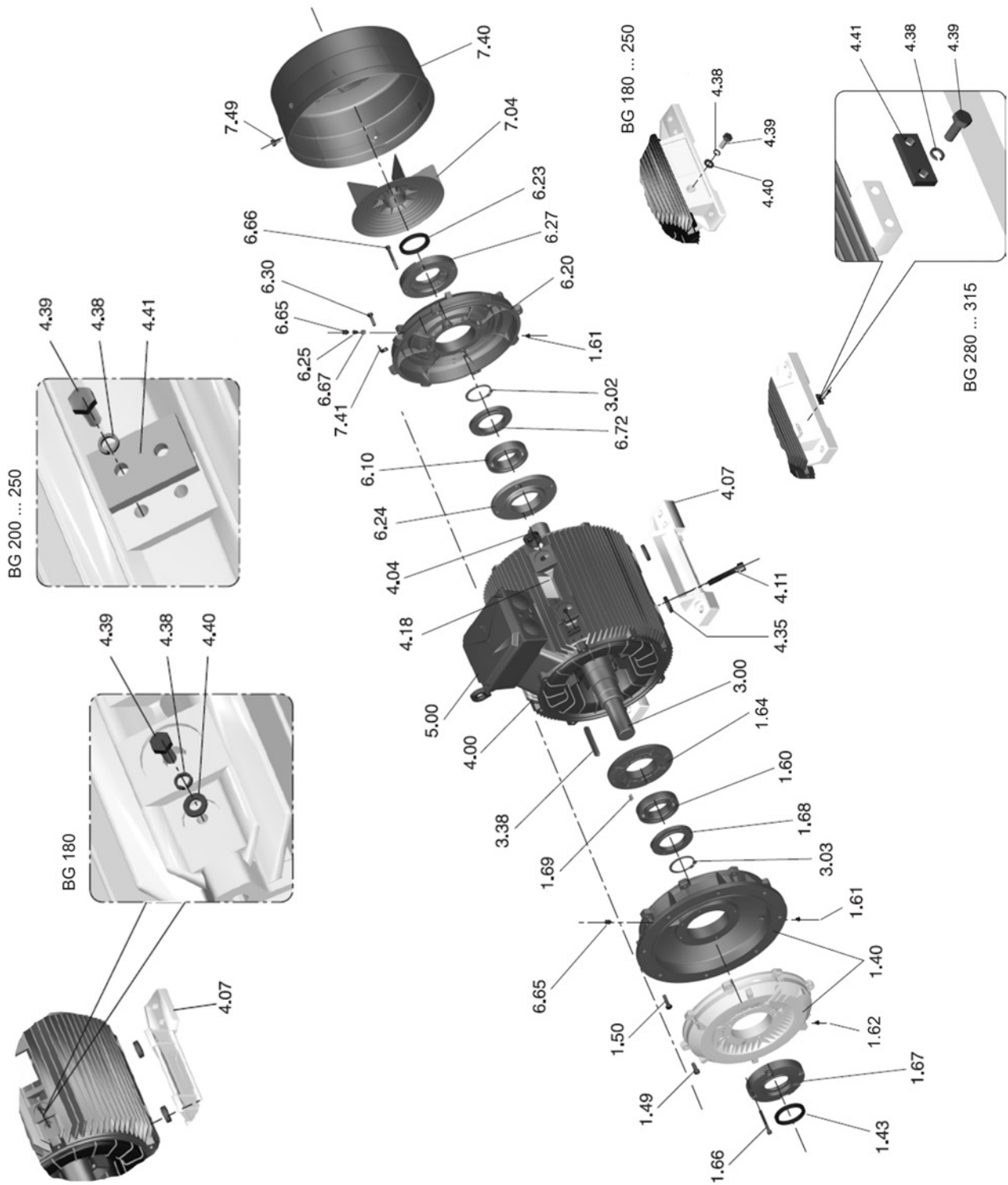


B.1.12 1LE1 / 1MB1 BG 225 ... 315 cast iron

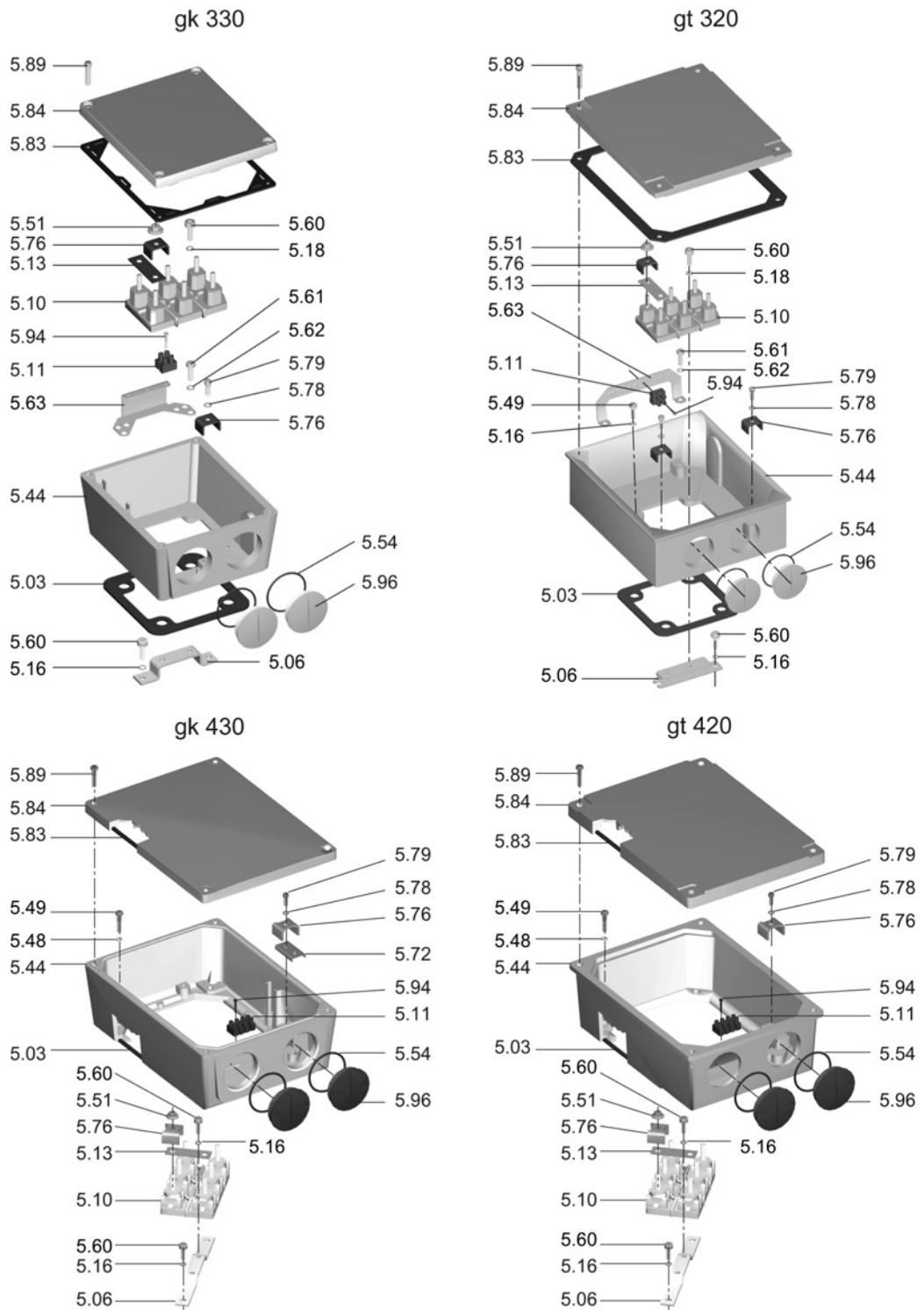




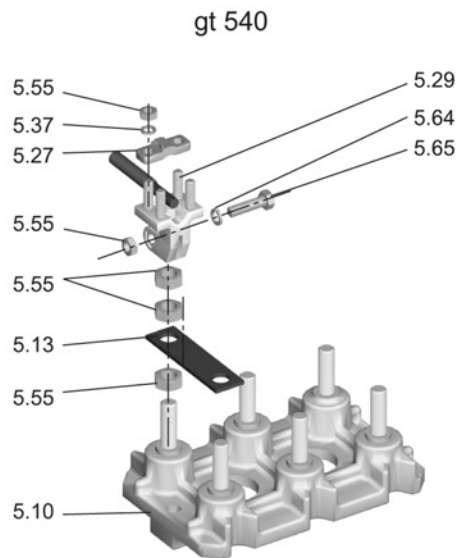
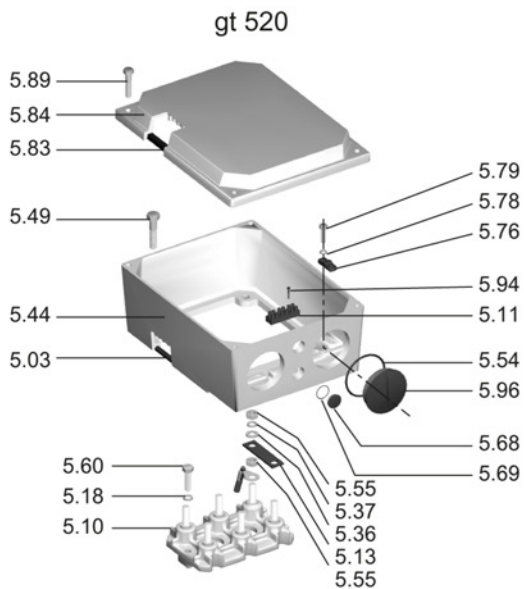
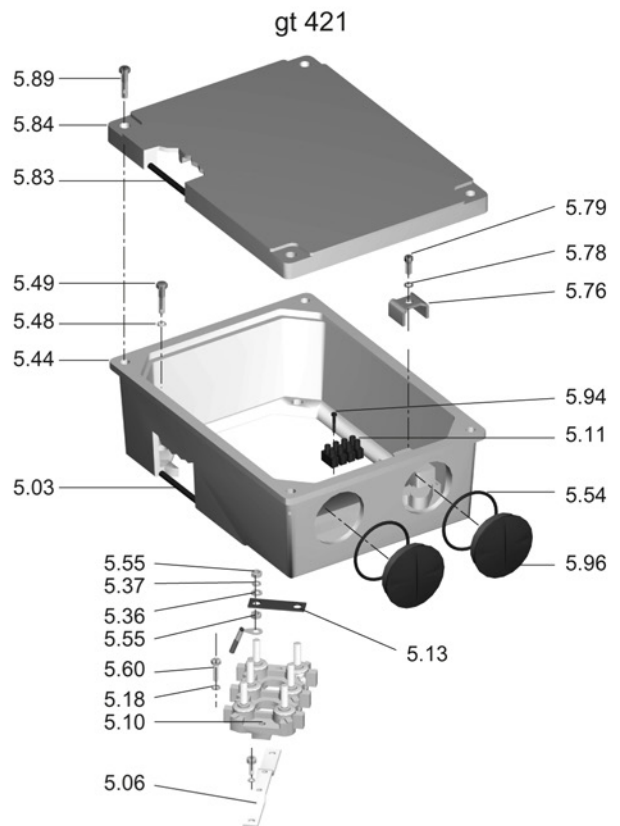
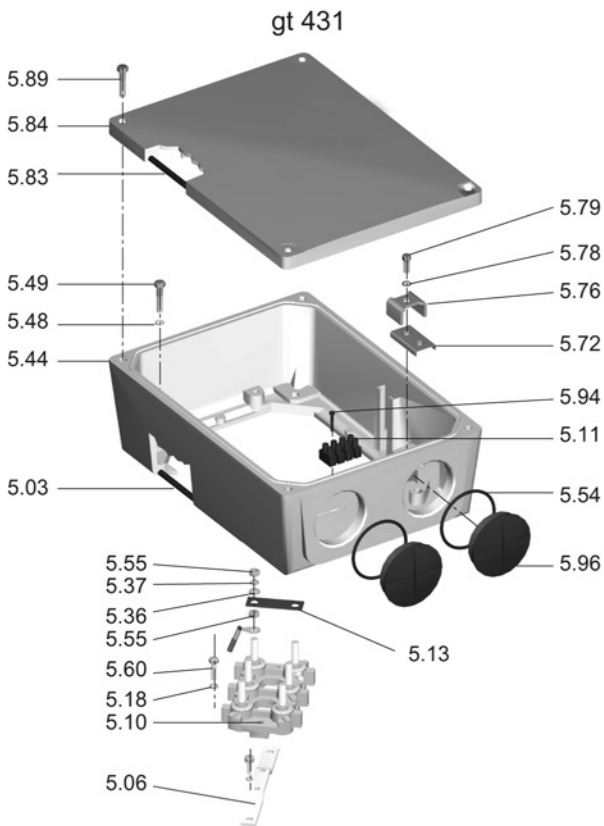
B.1.13 1LG4/6 FS 180 ... 315



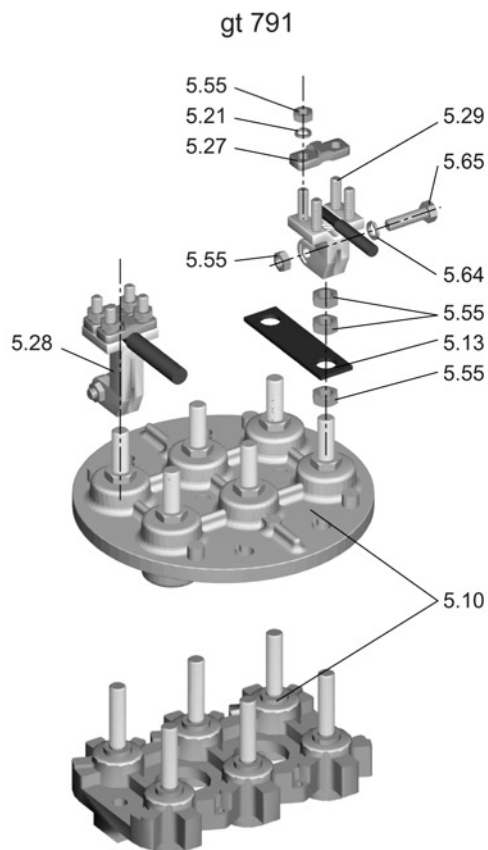
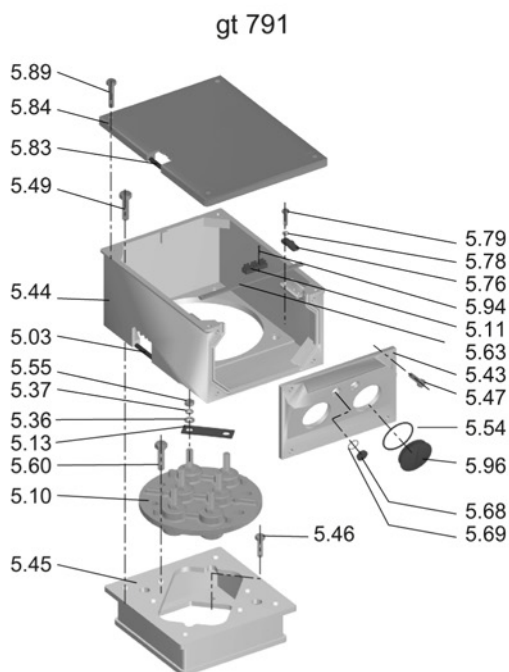
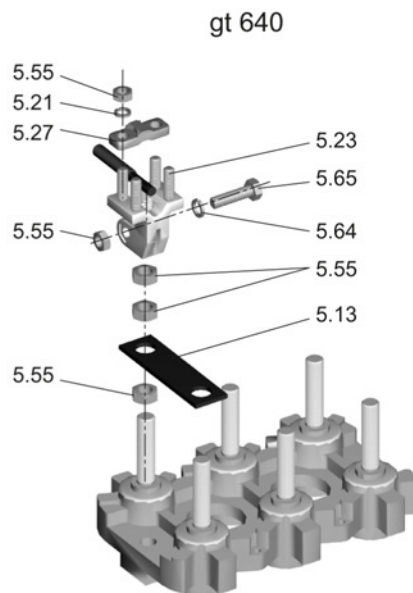
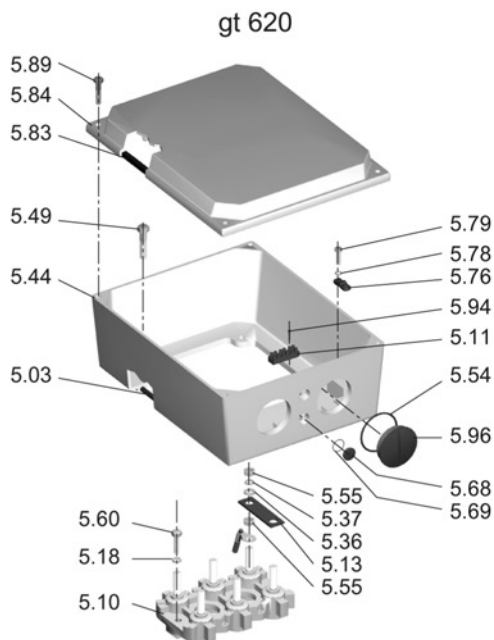
**B.1.14 Terminal box gk330, gt320, gk430, gt420**



**B.1.15 Terminal box gt431, gt421, gt520, gt540**



**B.1.16 Terminal box 1LG4/6 gt620, gt640, gt791**



# Glossary

<b>AS</b>	Drive end (DE)
<b>BA</b>	Operating instructions
<b>CE</b>	CE marking
<b>Code F</b>	Balanced with whole featherkey (full)
<b>Code H</b>	Balanced with half featherkey (half)
<b>CSA</b>	Canadian Standard Association
<b>CSA E</b>	Canadian Standard Association Energie Efficiency Verification
<b>CT</b>	Coolant temperature
<b>DE</b>	Drive end (D end of shaft)
<b>EAC</b>	Zollunion Eurasien - Eurasian Customs Union
<b>EC type examination certificate</b>	Evidence of a machine certified by an inspection body
<b>EMC</b>	Electromagnetic compatibility
<b>Ex</b>	Codes for explosion-protected equipment
<b>GOST</b>	Gosudarstwenny Standart
<b>IC</b>	International Cooling (standard)
<b>IM</b>	International mounting standard design

**Internet**

[www.siemens.com/motors](http://www.siemens.com/motors)

**IP**

Degree of protection

**ISPM**

International Standards for Phytosanitary Measures

**N code**

Balanced without featherkey (non2)

**NDE**

Non-drive end

**NE/NDE**

Non-drive end

**SH**

Shaft height

**UL**

Underwriters Laboratories

**VIK**

Verband der industriellen Energie- und Kraftwirtschaft e.V. (German Association of Industrial Energy Users and Self-Generators)

**Zone 1**

Atmosphere: Gas; Danger level: Occasional danger; Type of protection: Increased Safety "e" + Flameproof Enclosure "d"

**Zone 2**

Atmosphere: Gas; Danger level: Infrequent and short-term danger; Type of protection: Non-sparking "n"

**Zone 21**

Atmosphere: Dust; Danger level: Occasional danger; Type of protection: Protection by enclosure "t"; device protection level "Db"

**Zone 22**

Atmosphere: Dust; Danger level: Infrequent and short-term danger; Type of protection: Protection by enclosure "t"; device protection level "Dc"

# Index

## C

Contact data, 115  
Correct usage, 16

## D

Disassembly  
  Disposal, 113  
Disposal  
  Chemicals, 114  
  Components, 114

## F

Field service visits, 115  
Five safety rules, 11

## I

Insulation resistance  
  Critical, 69  
  measure, 68

## L

Low-Voltage Directive, 11

## M

More information, 115

## P

Paint system, 90  
Paintwork damage, 90

## Q

Qualified personnel, 12

## R

Rating plate, 16  
Repainting, 90

## S

Service Center, 115  
Service numbers, 115  
Siemens Service Center, 115  
Spare parts, 115

Siemens AG  
Industry Sector  
Drive Technologies Division  
P.O. Box 48 48  
90026 NUREMBERG  
GERMANY

Subject to change without prior notice  
5 610 00000 02 000  
© Siemens AG 2014

[www.siemens.com/motors](http://www.siemens.com/motors)