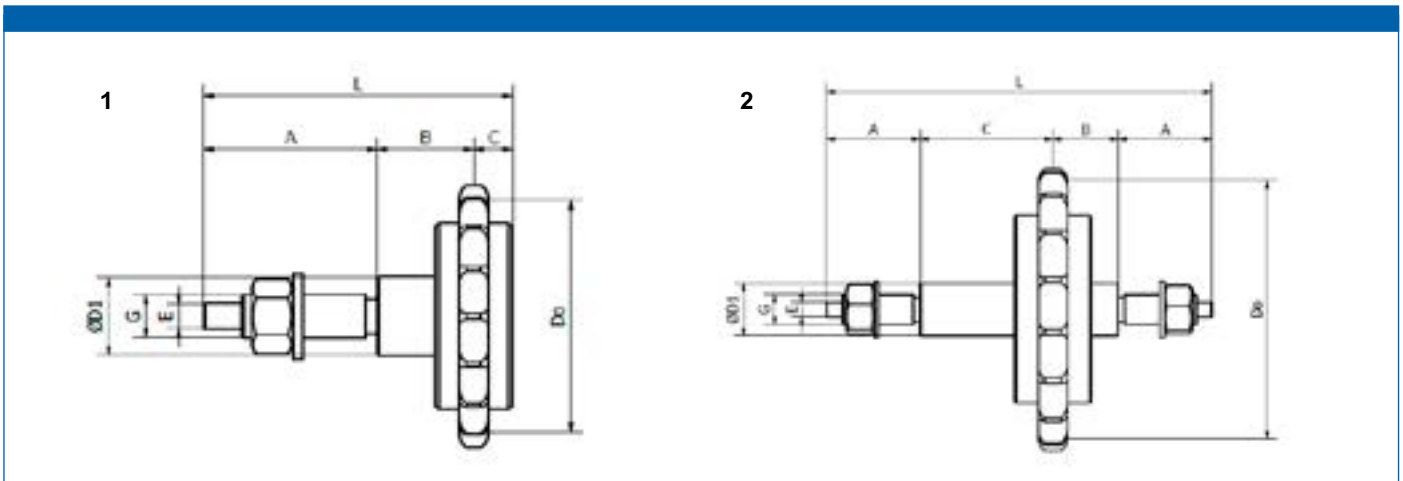


Idler Sprockets



We stock a wide assortment of idler sprockets, type SX and SC. Sprockets in duplex and triplex are available upon your request.

Our SC sprockets are supplied complete with bearings, ready to be fitted at the relevant tension or driving gear points.

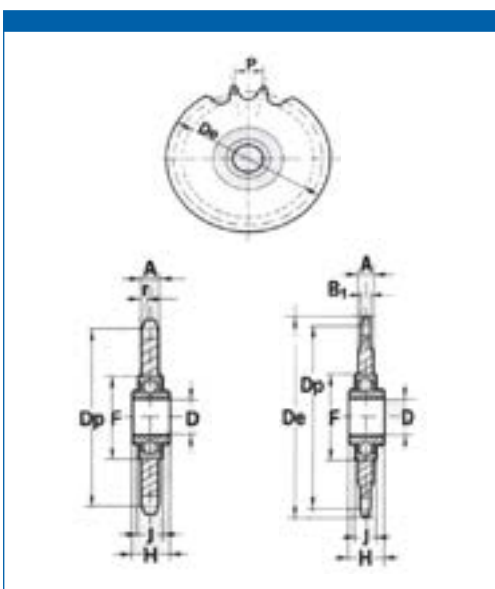
The accurate machining and stable assembly on a ball bearing, with double protection, provides greater resistance to loads and wear. The central "extended" ring on bearing, allows easy assembly on all types of special machinery.

Type SX - with shaft

Item No. Jens S.	Chain type	Number of teeth	Type	A	B	C	Do	D1	E	G	L	No. And type of bearing
SX06B117P	06B1	17	1	34	20	8	51,83	18	6	M10	62	1 x 6201-2RS
SX08B117P	08B1	17	1	45	25	10	69,12	22	7	M12	80	1 x 6203-2RS
SX10B117P	10B1	17	1	55	26	11	86,39	30	8	M16	92	1 x 6205-2RS
SX12B117P	12B1	17	1	55	28	12	103,67	35	10	M20	95	1 x 6206-2RS
SX16B117P	16B1	17	1	67	46	13	138,23	40	10	M20	126	1 x 6207-2RS
SX20B117P	20B1	17	2	60	42	85	172,79	35	10	M20	247	2 x 6207-2RS
SX24B117P	24B1	17	2	70	60	116	207,35	40	10	M20	316	2 x 6208-2RS

Type SX - without shaft

Item	Chain type	Number of teeth	Total width [mm]	C	Do	No. And type of bearing
SX10B117UP	10B1	17	22	11	86,39	1 x 6205-2RS
SX12B117UP	12B1	17	24	12	103,67	1 x 6206-2RS
SX16B117UP	16B1	17	26	13	138,23	1 x 6207-2RS
SX20B117UP	20B1	17	49	24,5	172,79	2 x 6207-2RS



Type SC

Item No. Jens S.	Chain	Z	B1	Dp	De	D	A	F	H	J	
SC06B121	3/8" x 7/32"	21	5,3	63,91	68	16	+ 0,26 + 0,13	7	40	18,3	12
SC08B116	1/2" x 5/16"	16	7,2	65,1	70,9	16	+ 0,26 + 0,13	7,2	40	18,3	12
SC08B118	1/2" x 5/16"	18	7,2	73,14	78,9	16	+ 0,26 + 0,13	7,2	40	18,3	12
SC10B114	5/8" x 3/8"	14	9,1	57,07	61,8	16	+ 0,26 + 0,13	9,1	40	18,3	12
SC10B115	5/8" x 3/8"	15	9,1	61,09	65,5	16	+ 0,26 + 0,13	9,1	40	18,3	12
SC10B117	5/8" x 3/8"	17	9,1	86,3	93	16	+ 0,26 + 0,13	9,1	40	18,3	12
SC12B113	3/4" x 7/16"	13	11,1	79,59	87,5	16	+ 0,26 + 0,13	11,1	40	18,3	12
SC12B115	3/4" x 7/16"	15	11,1	91,63	99,8	16	+ 0,26 + 0,13	11,1	40	18,3	12
SC16B112	1" x 17,02"	12	16,2	98,14	109	20	+ 0,1 + 0	16,2	47	17,7	14
SC20B113	1 1/4" x 3/4"	13	18,5	132,65	147,8	25	+ 0,1 + 0	18,5	52	21	52