A 3D CAD rendering of a False Tooth Fastening System. The image shows a grey plastic component with several cylindrical metal fasteners protruding from its surface. The fasteners are arranged in a grid pattern. The background is a light yellow color. The text "False Tooth Fastening System" is written in white on a black diagonal banner across the center of the image.

False Tooth Fastening System

Elatech® ATF



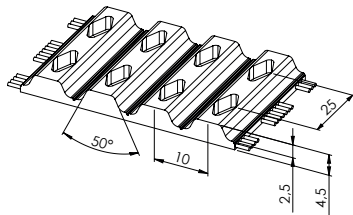
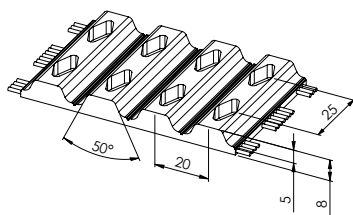
Elatech[®]
Technology in Motion.

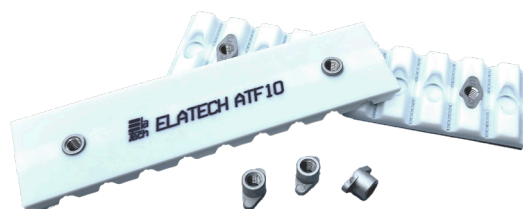
Elatech[®] ATF

Elatech[®] ATF timing belts, made with resistant polyurethane (Standard: 92 Shore A) and high strength steel or stainless-steel tension members, are available as open ended or welded endless belts. This belt type is suitable for a rapid and easy setup of profiles with simple hand tools.


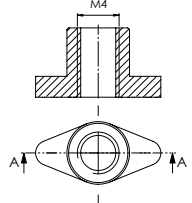

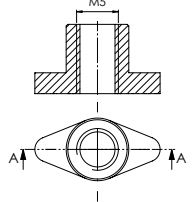
A multitude of profiles can be attached, converted, interchanged, or reconfigured. ATF technology combines flexibility, strength, accuracy and offers high precision profile positioning. Mounting holes (cavities) for the inserts are extruded into every tooth of the base timing belt, ATF timing belts are universally suitable for various positioning and conveying applications.

PRODUCT RANGE

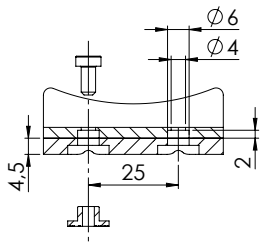
ATF Profile			No. of inserts per tooth
	ATF 10	ATF 20	
Pitch (mm)	10	20	
Available Belt Width (mm)	25	not available	1
	50	50	2
	75	75	3
	100	100	4



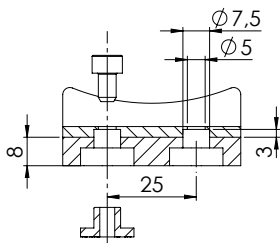
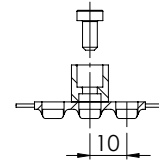
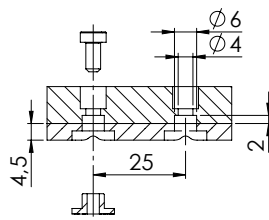
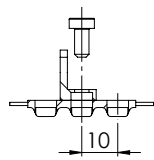
INSERT TYPES

Insert Profile	Dimensions	Thread size	Material	Applications
 <p>ATF 10</p>		M4	Stainless Steel	- Small loads - Low dynamic loads
 <p>ATF 20</p>		M5	Stainless Steel	- Medium and large loads - High dynamic loads

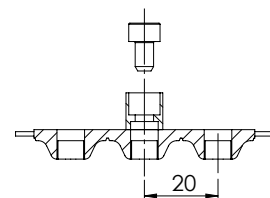
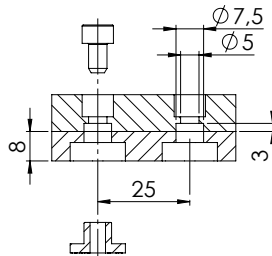
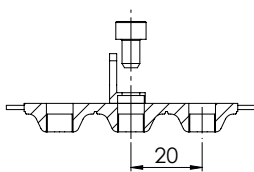
EXAMPLE OF CLEAT CONFIGURATIONS



ATF 10



ATF 20



ATF ADVANTAGES:

- Variable cleat pitch
- Different cleat materials can be used
- Standard timing belt pulleys can be used
- High shear strength
- Quick and easy cleat change
- Cleats spacing is extremely precise
- No cleat welding beads
- Reduced downtime



elatech.com

Elatech S.r.l.

Via Fonte Solforosa, 1 24012 — Val Brembilla (BG) Italy
info@elatech.com +39 0345 33 03 11